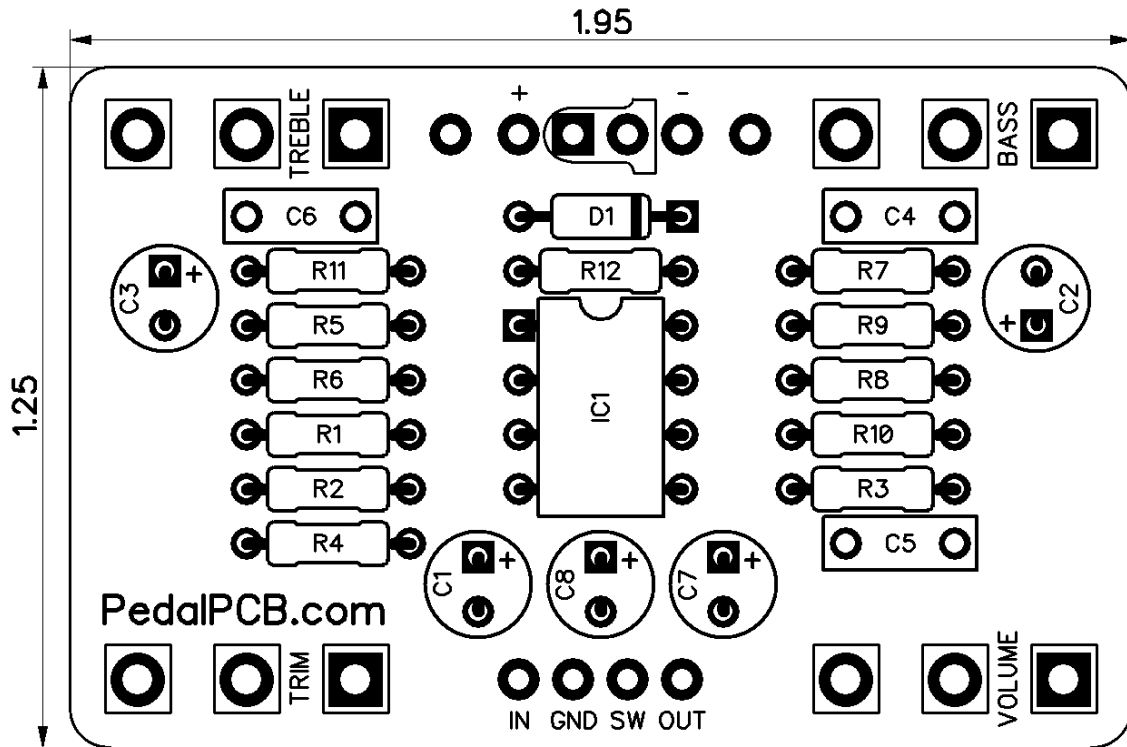


# B-Side Fuzz

Revision 11.04.17



## Resistors

R1	100K
R2	100K
R3	10K
R4	10K
R5	470K
R6	470
R7	10K
R8	3K6
R9	10K
R10	10K
R11	3K6
R12	4K7

## Capacitors

C1	1uF
C2	1uF
C3	1uF
C4	47nF
C5	47nF
C6	4.7nF
C7	47uF
C8	47uF

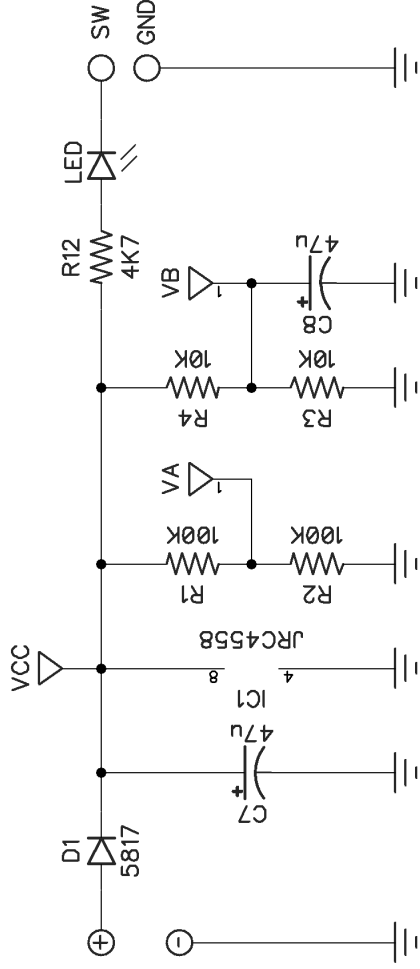
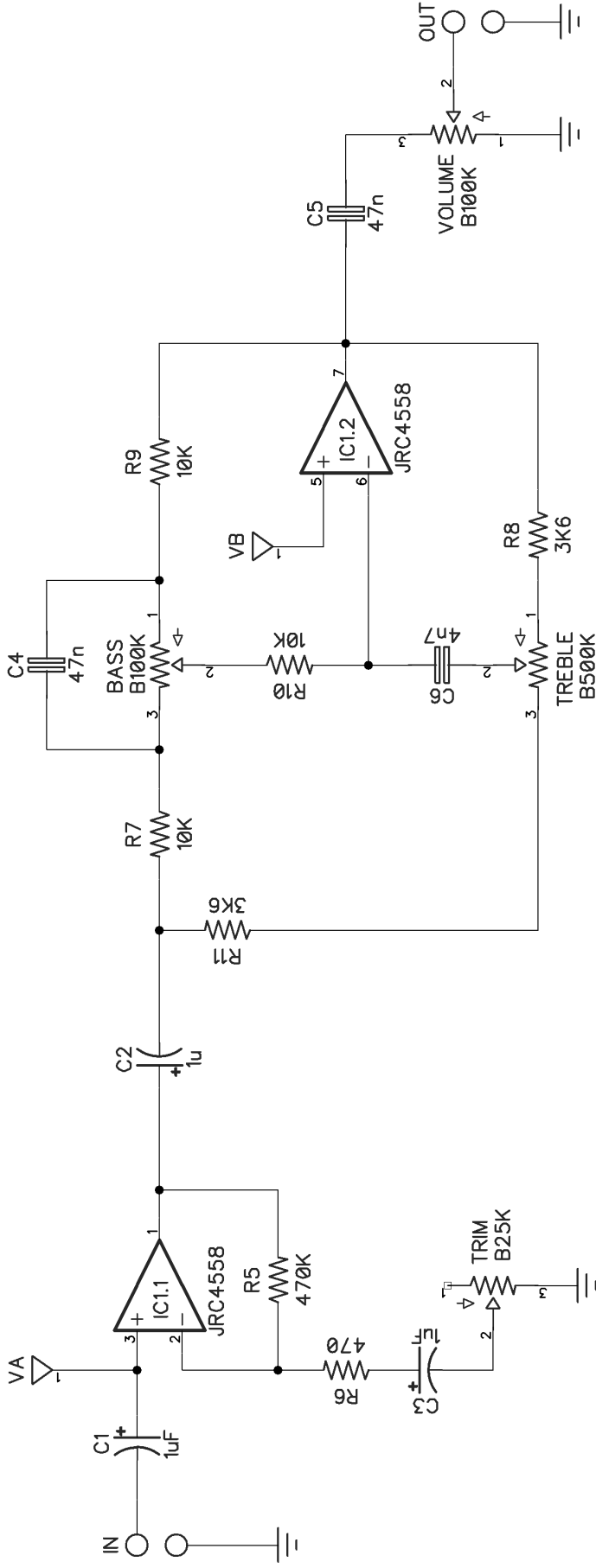
## Semiconductors

IC1	JRC4558
D1	1N5817

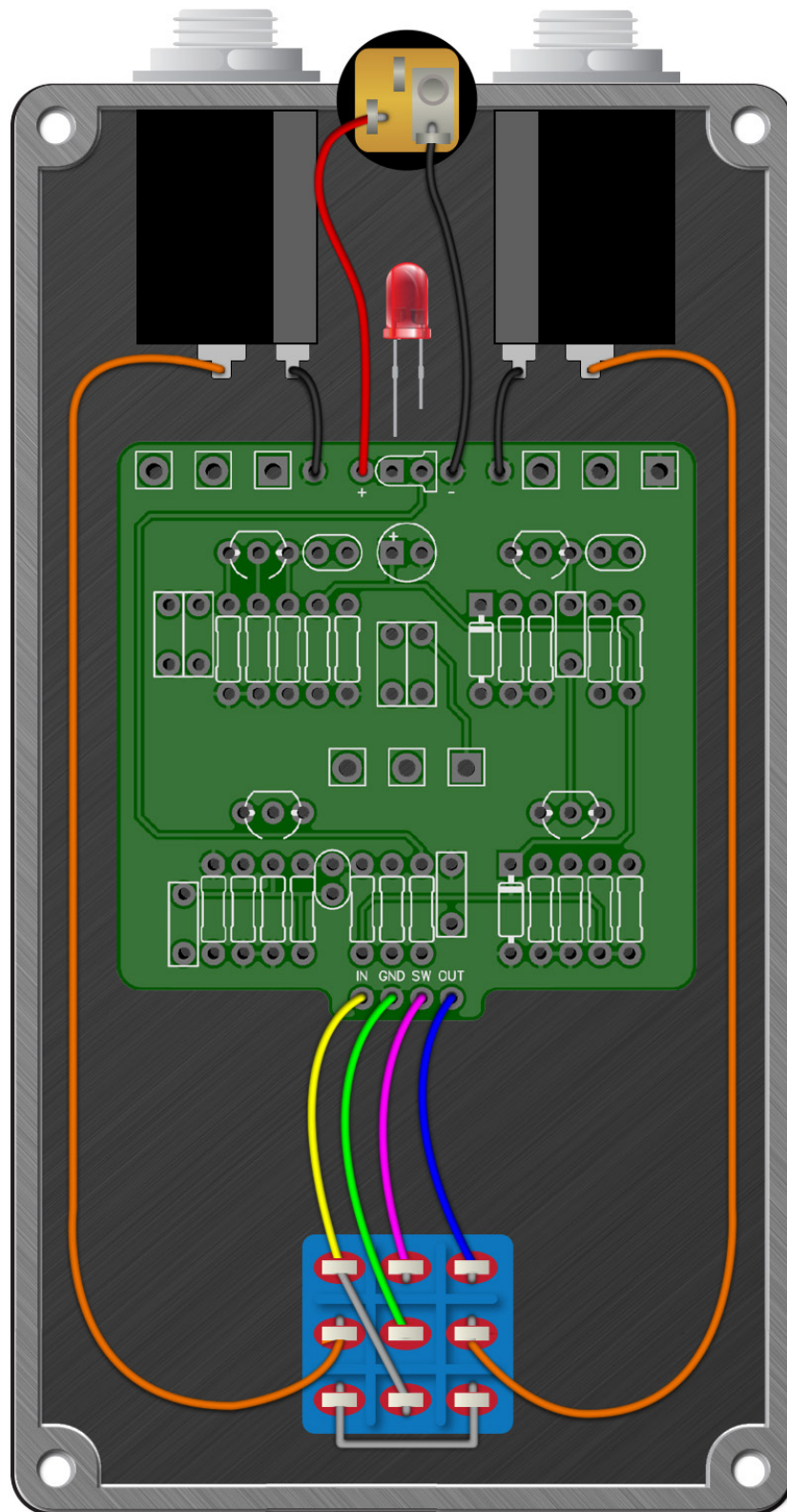
## Potentiometers

VOLUME	B100K
TRIM	B25K
BASS	B100K
TREBLE	B500K

# B-Side Fuzz



# Wiring Diagram



# Drill Template

4S125B enclosure with top mounted jacks

