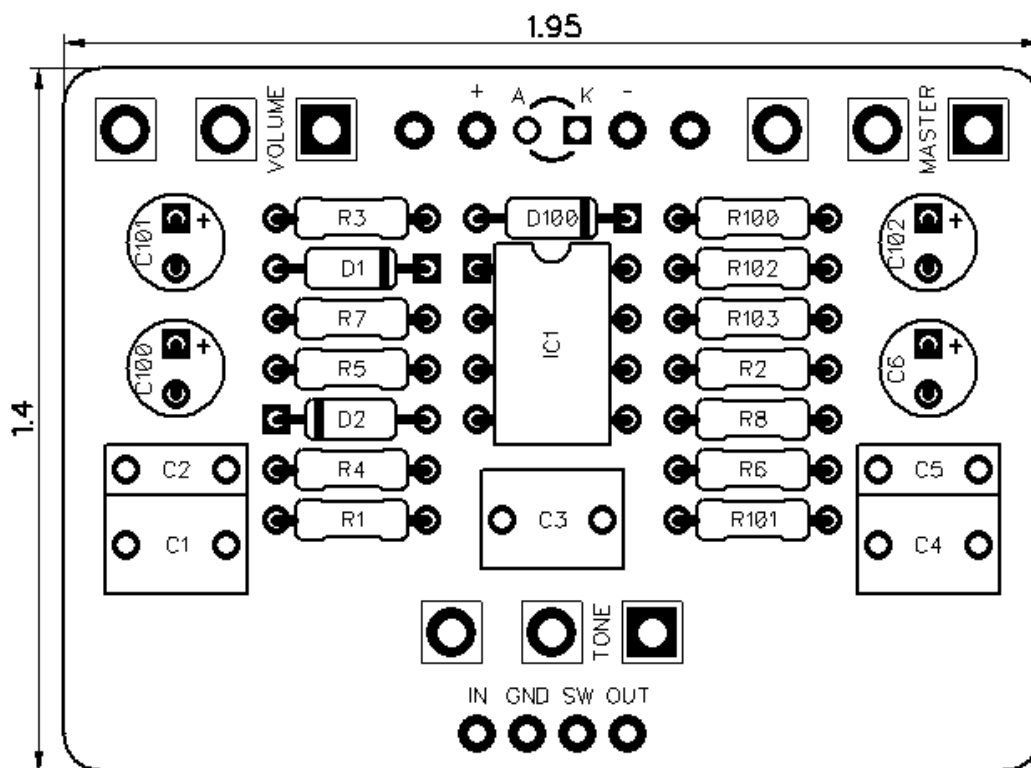




# PedalPCB

## BB-Gun Overdrive

Revision 09.01.19



### Controls

- Volume
- Tone
- Master

All trademarks and registered trademarks are the property of their respective owners. The company, product, and service names used in this web site are for identification purposes only. Use of these names, logos, and brands does not imply endorsement.

# BB-Gun Overdrive

## Parts List

**RESISTORS (1/4W)**

R1 1M  
R2 470K  
R3 100R  
R4 100R  
R5 1K  
R6 4K7  
R7 100R  
R8 100R  
R100 100R  
R101 4K7  
R102 51K  
R103 51K

**CAPACITORS**

C1 1u  
C2 1n  
C3 1u  
C4 1u  
C5 10n  
C6 10u  
C100 10u  
C101 1u  
C102 1u

**INTEGRATED CIRCUITS**

IC1 RC4558P

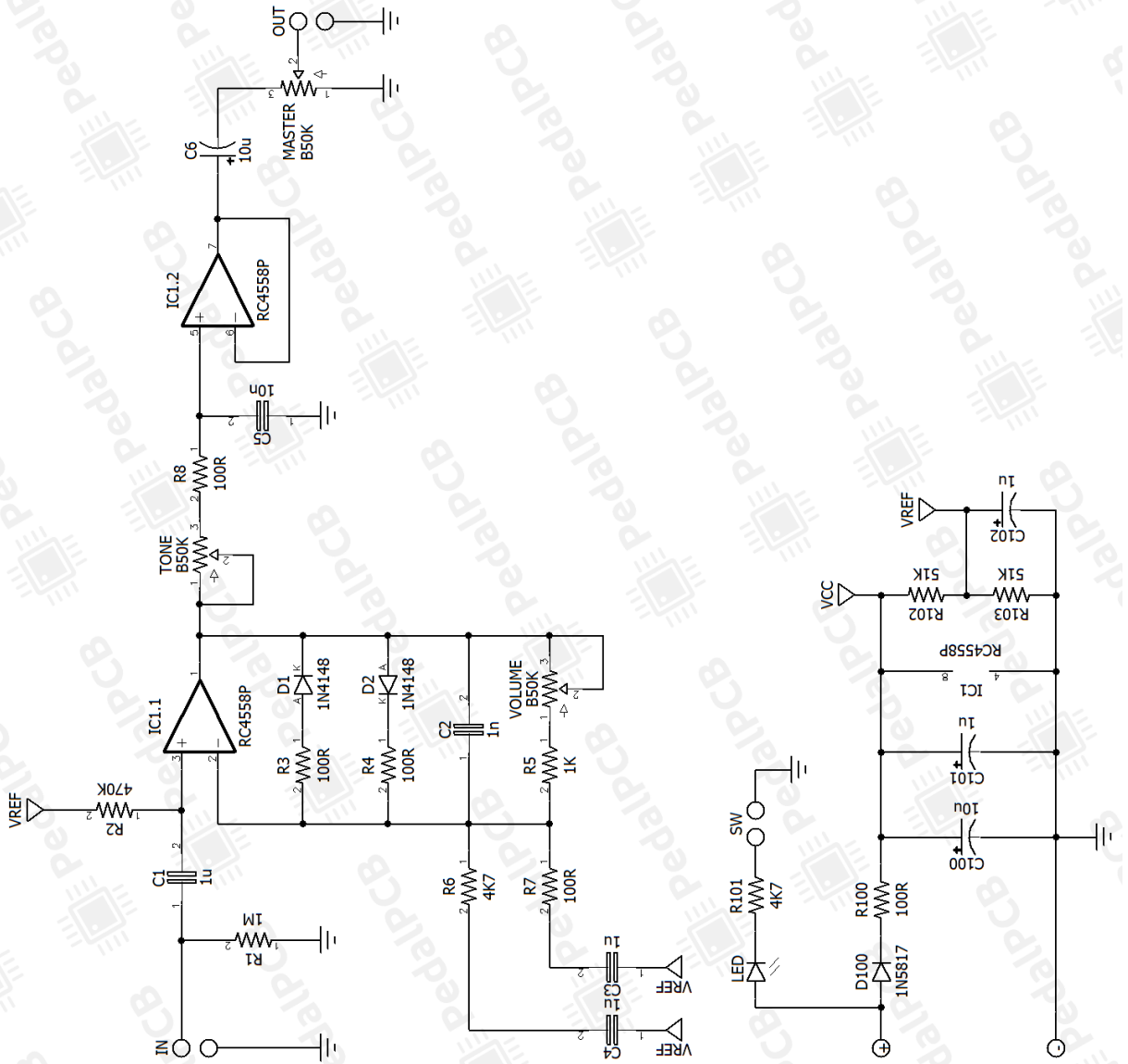
**DIODES**

D1 1N4148  
D2 1N4148  
D100 1N5817

**POTENTIOMETERS**

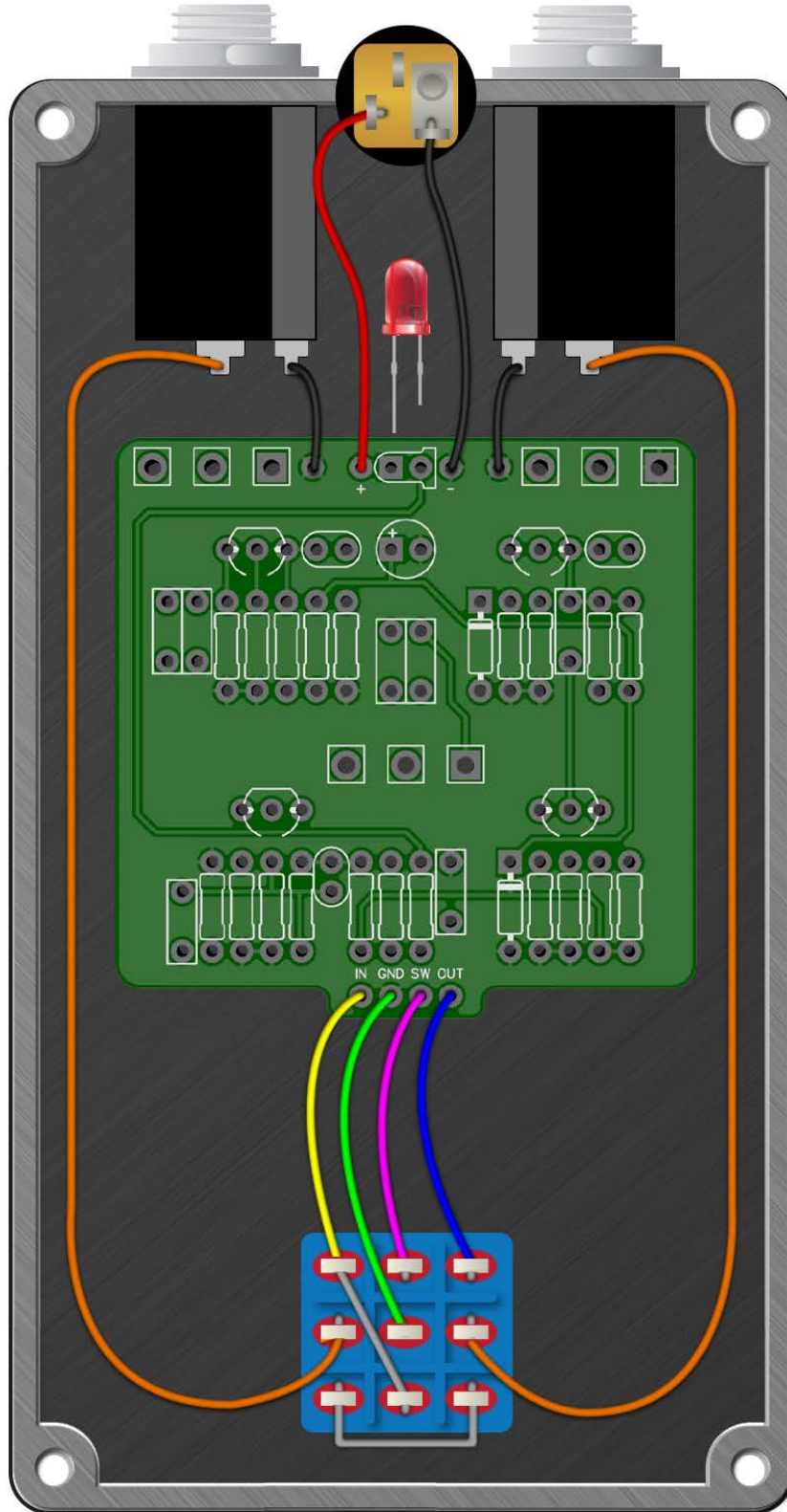
VOLUME B50K  
TONE B50K  
MASTER B50K

# BB-Gun Overdrive



# BB-Gun Overdrive

Wiring Diagram



# BB-Gun Overdrive

Drill Template  
125B enclosure with top mounted jacks

