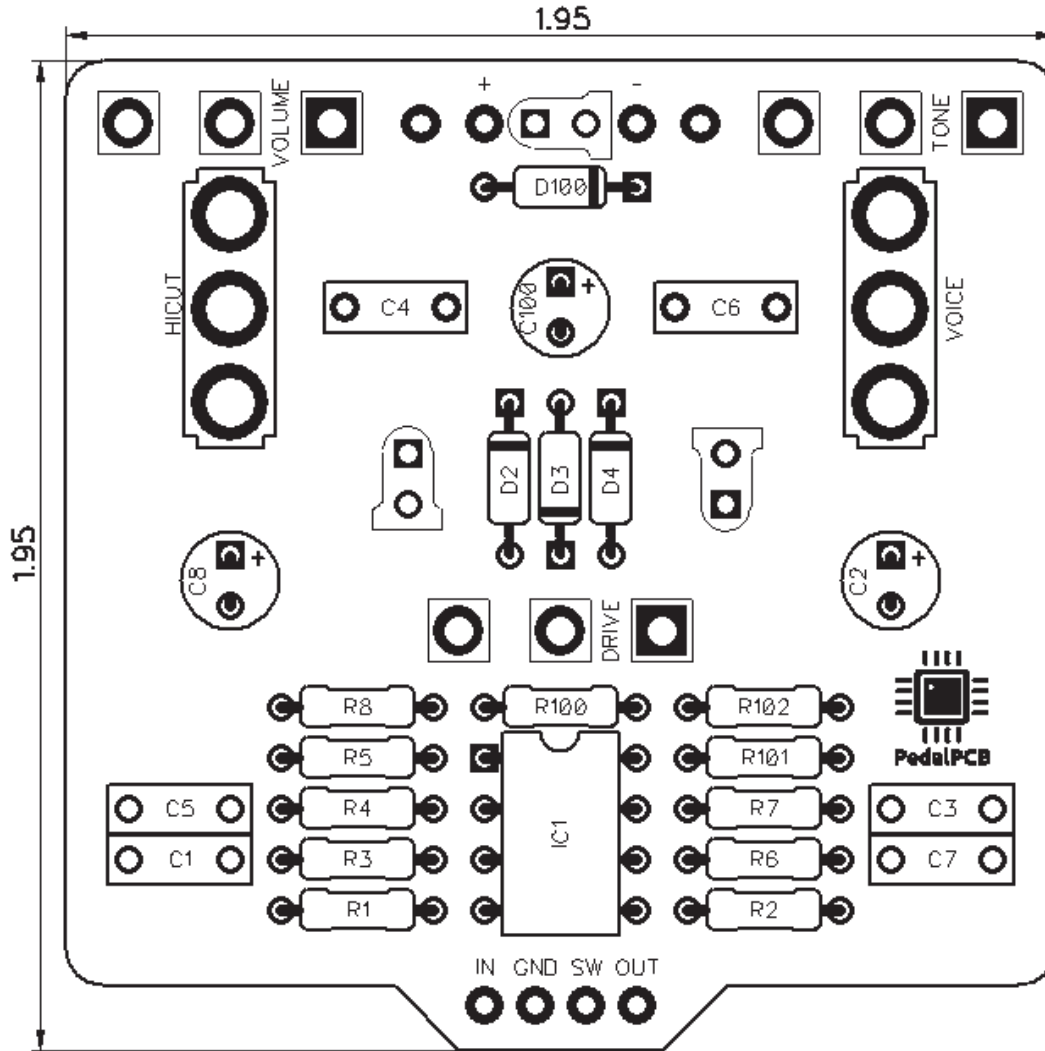




# PedalPCB

## Aurum Drive

Revision 02.01.19



### Controls

- Treble
- Bass
- Level

All trademarks and registered trademarks are the property of their respective owners. The company, product, and service names used in this web site are for identification purposes only. Use of these names, logos, and brands does not imply endorsement.

# Aurum Drive

## Parts List

### RESISTORS (1/4W)

R1 1M  
R2 1M  
R3 1K  
R4 2K2  
R5 10K  
R6 10K  
R7 22K  
R8 2K2  
R100 10K  
R101 10K  
R102 10K

### CAPACITORS

C1 22n  
C2 22u  
C3 100p  
C4 2n2  
C5 47n  
C6 3n9  
C7 47p  
C8 10u  
C100 47u

### SWITCHES

HICUT SPDT (On / Off / On)  
VOICE SPDT (On / Off / On)

### INTEGRATED CIRCUITS

IC1 LM833N

### DIODES

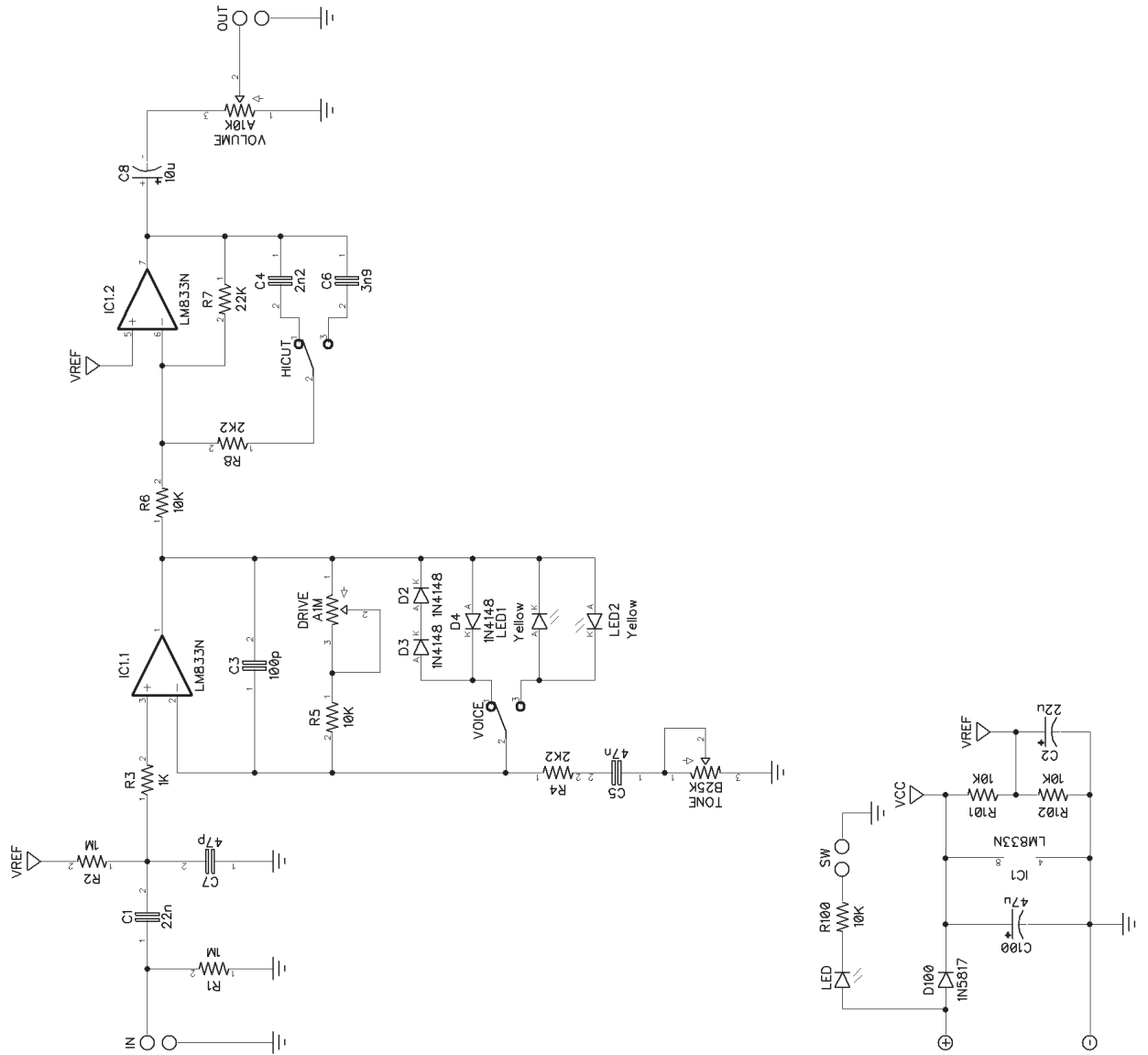
D2 1N4148  
D3 1N4148  
D4 1N4148  
D100 1N5817

LED1 3mm Yellow LED  
LED2 3mm Yellow LED

### POTENTIOMETERS

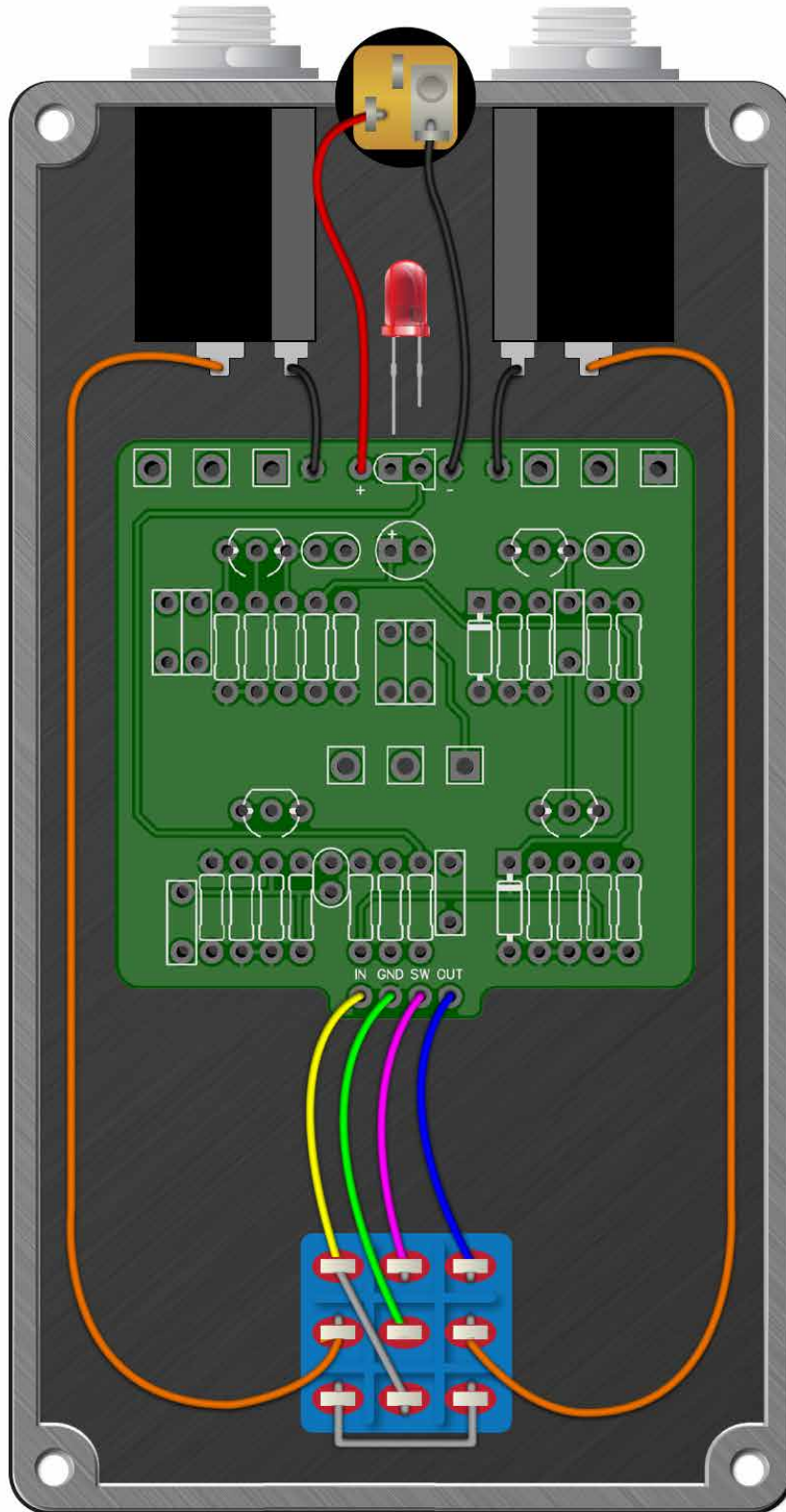
VOLUME A10K  
TONE B25K  
DRIVE A1M

# Aurum Drive



# Aurum Drive

Wiring Diagram



# Aurum Drive

Drill Template  
125B enclosure with top mounted jacks

