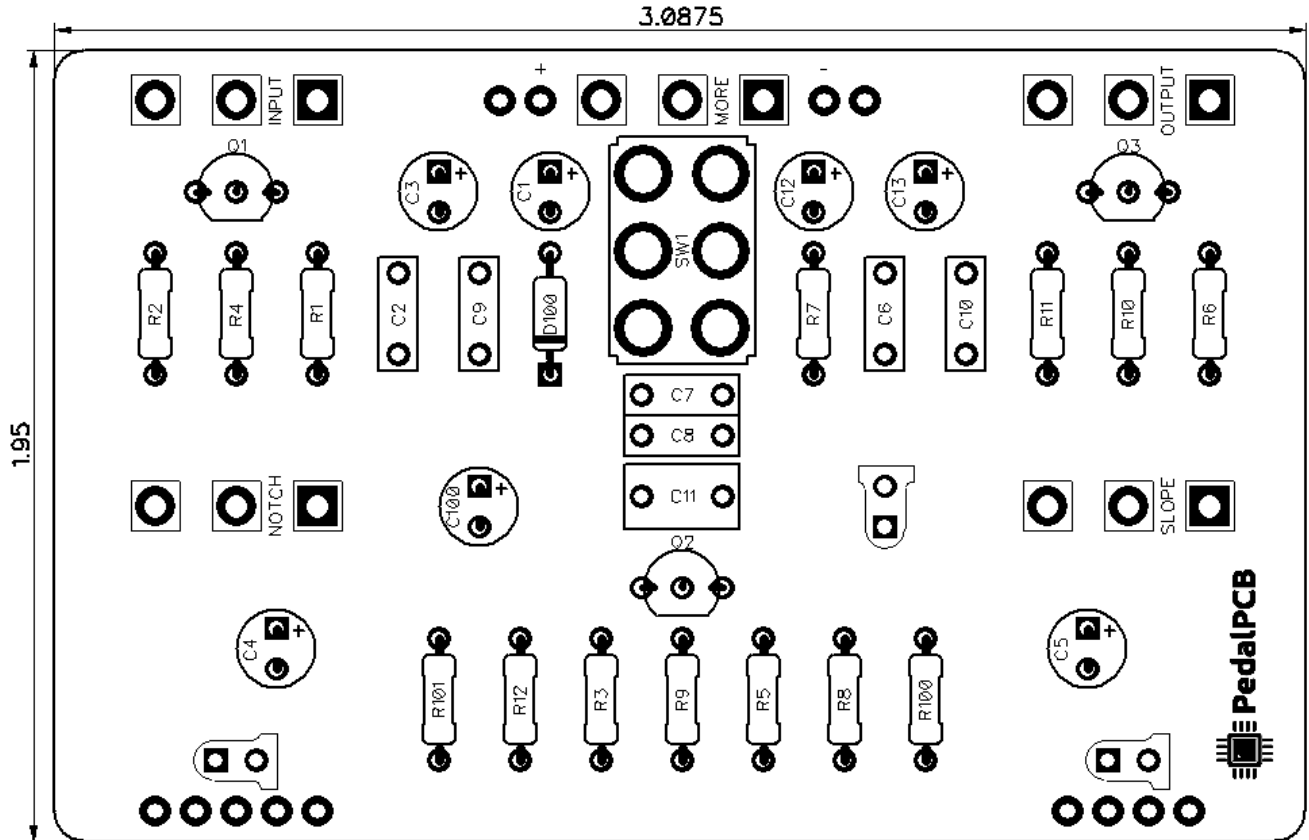




PedalPCB

Arkaim Fuzz

Revision 04.14.19



Controls

- Output
- More
- Input
- Slope
- Notch

- Shift (toggle switch)
- Bypass (footswitch)
- Heavy (footswitch)

All trademarks and registered trademarks are the property of their respective owners. The company, product, and service names used in this web site are for identification purposes only. Use of these names, logos, and brands does not imply endorsement.

RESISTORS (1/4W)

R1 4K7
R2 100K
R3 10K
R4 47K
R5 47K
R6 51K
R7 33K
R8 330K
R9 51K
R10 4M7
R11 51K
R12 1M
R100 4K7
R101 4K7

CAPACITORS

C1 10u
C2 22n
C3 47u
C4 47u
C5 47u
C6 4n7
C7 12n
C8 10n
C9 22n
C10 1n
C11 470n
C12 47u
C13 47u
C100 100u

SWITCHES

SHIFT On/OFF/On DPDT Toggle
BYPASS Latching 3PDT Footswitch
HEAVY Latching 3PDT Footswitch

TRANSISTORS

Q1 BC338
Q2 2N5088
Q3 BC338

DIODES

D1 Orange 3mm LED
D100 1N5817

LED1 Indicator LED

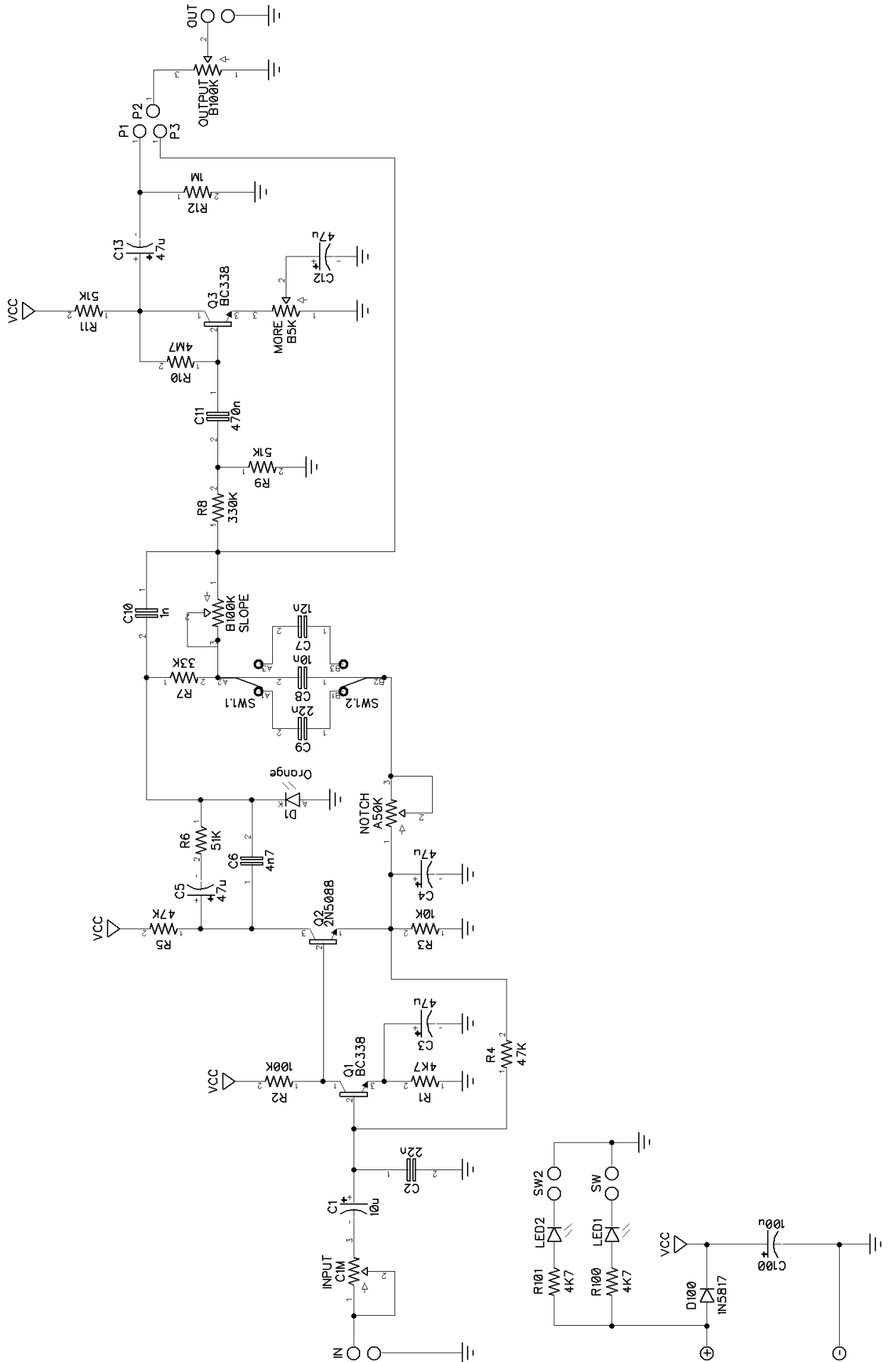
LED2 Indicator LED

POTENTIOMETERS

INPUT C1M
MORE B5K
NOTCH A50K
OUTPUT B100K
SLOPE B100K

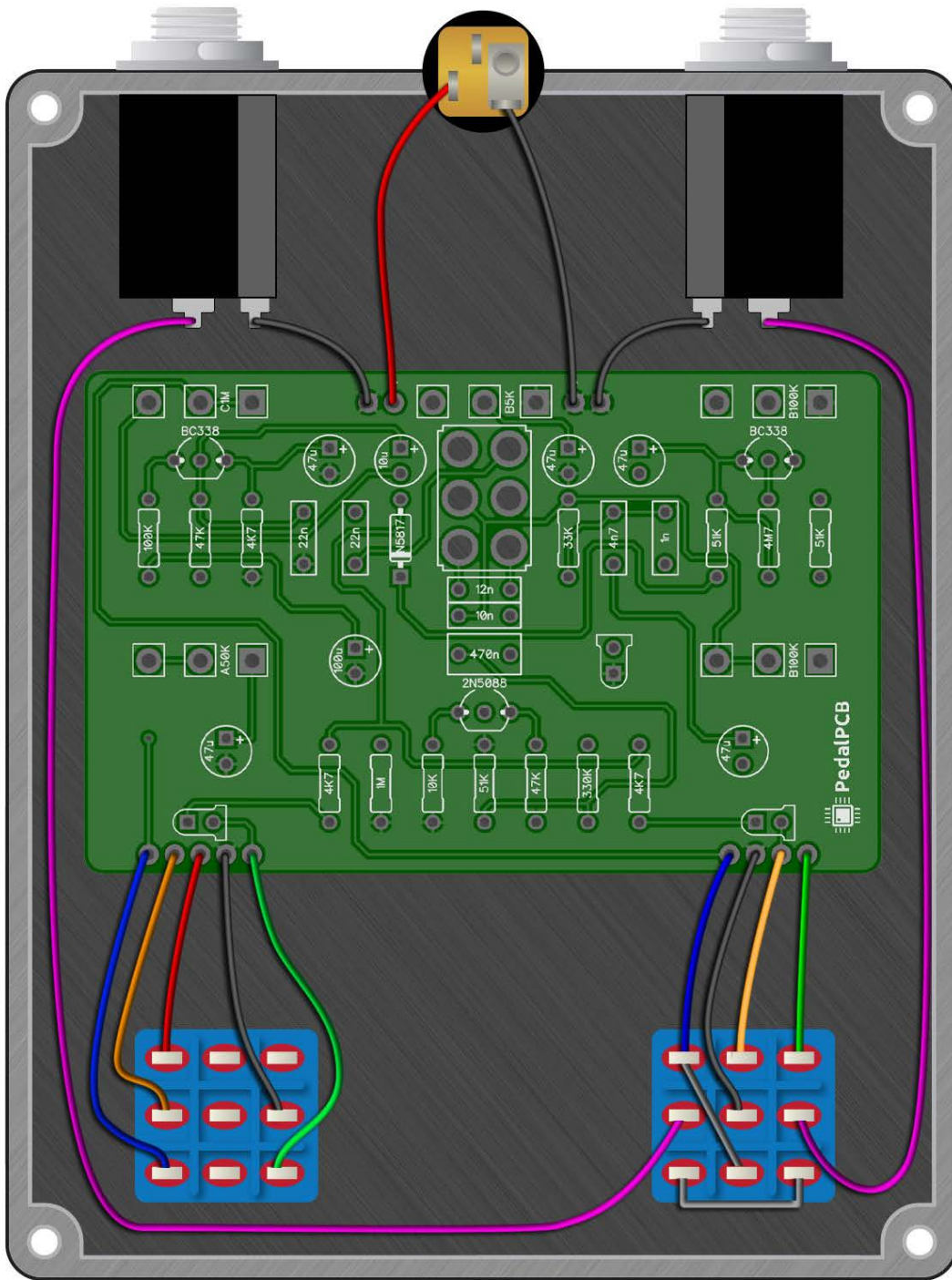


Arkaim Fuzz



Arkaim Fuzz

Wiring Diagram



Arkaim Fuzz

Drill Template
1590BB enclosure with top mounted jacks

