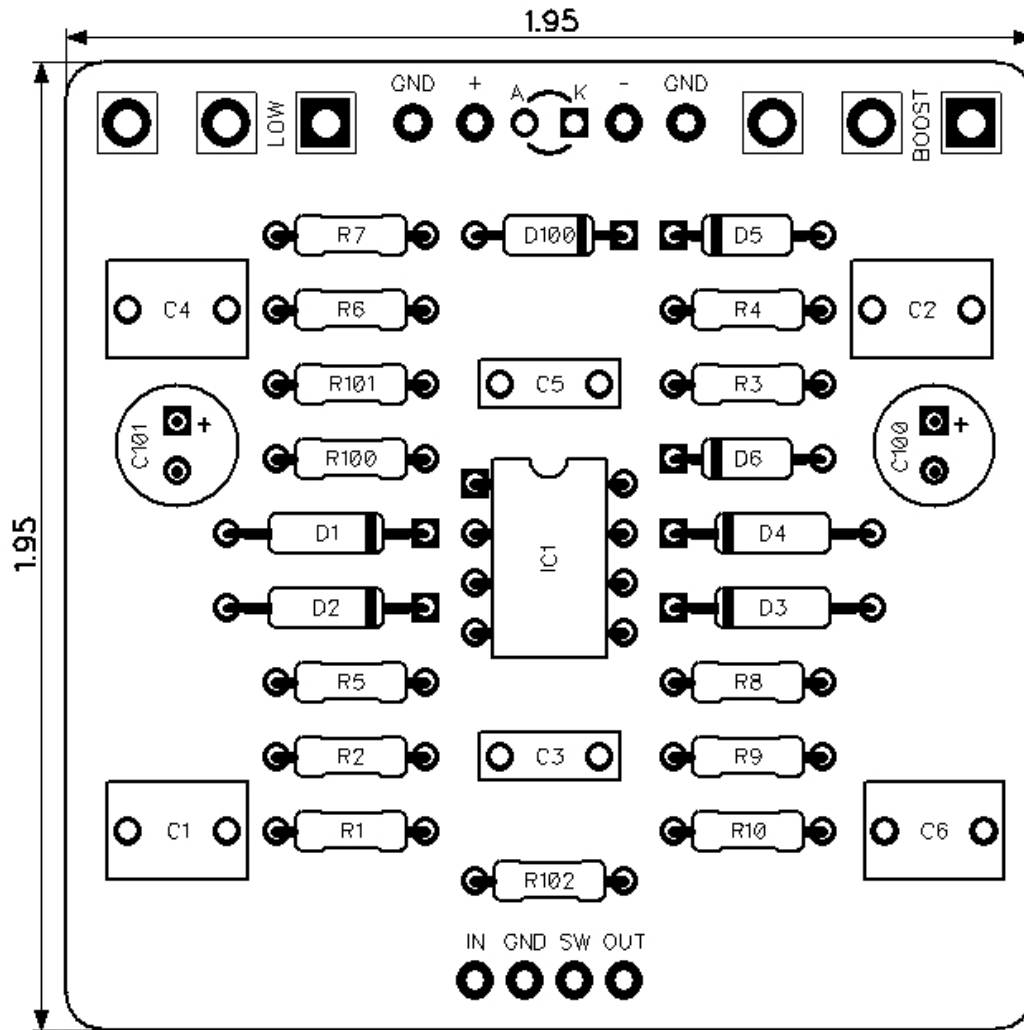




PedalPCB

Arche Boost

Revised 1/3/22



CONTROLS AND FEATURES

- Boost
- Low

All trademarks and registered trademarks are the property of their respective owners. The company, product, and service names used in this web site are for identification purposes only. Use of these names, logos, and brands does not imply endorsement.

LOCATION	VALUE	TYPE	NOTES
R1	10M	Resistor, 1/4W	
R2	1M	Resistor, 1/4W	
R3	100K	Resistor, 1/4W	
R4	100K	Resistor, 1/4W	
R5	4K7	Resistor, 1/4W	
R6	47K	Resistor, 1/4W	
R7	8K2	Resistor, 1/4W	
R8	15K	Resistor, 1/4W	
R9	220R	Resistor, 1/4W	
R10	51K	Resistor, 1/4W	
R100	10K	Resistor, 1/4W	
R101	10K	Resistor, 1/4W	
R102	4K7	Resistor, 1/4W	
C1	220n	Film capacitor, 7.2 x 5.0mm	
C2	470n	Film capacitor, 7.2 x 5.0mm	
C3	100p	Ceramic capacitor	
C4	4n7	Film capacitor, 7.2 x 2.5mm	
C5	100p	Ceramic capacitor	
C6	1u	Film capacitor, 7.2 x 5.0mm	
C100	100u	Electrolytic capacitor, 5mm	
C101	100u	Electrolytic capacitor, 5mm	
D1	1N4148	Signal diode, DO-35	
D2	1N4148	Signal diode, DO-35	
D3	1N747A	Zener diode 1/2W, 3.6V	* See Below
D4	1N747A	Zener diode 1/2W, 3.6V	* See Below
D5	1N4148	Signal diode, DO-35	
D6	1N4148	Signal diode, DO-35	
D100	1N5817	Schottky diode, DO-41	
IC1	OPA2134PA	Dual op-amp, DIP8	
BOOST	B100K	16mm right-angle PCB mount pot	
LOW	A1M	16mm right-angle PCB mount pot	

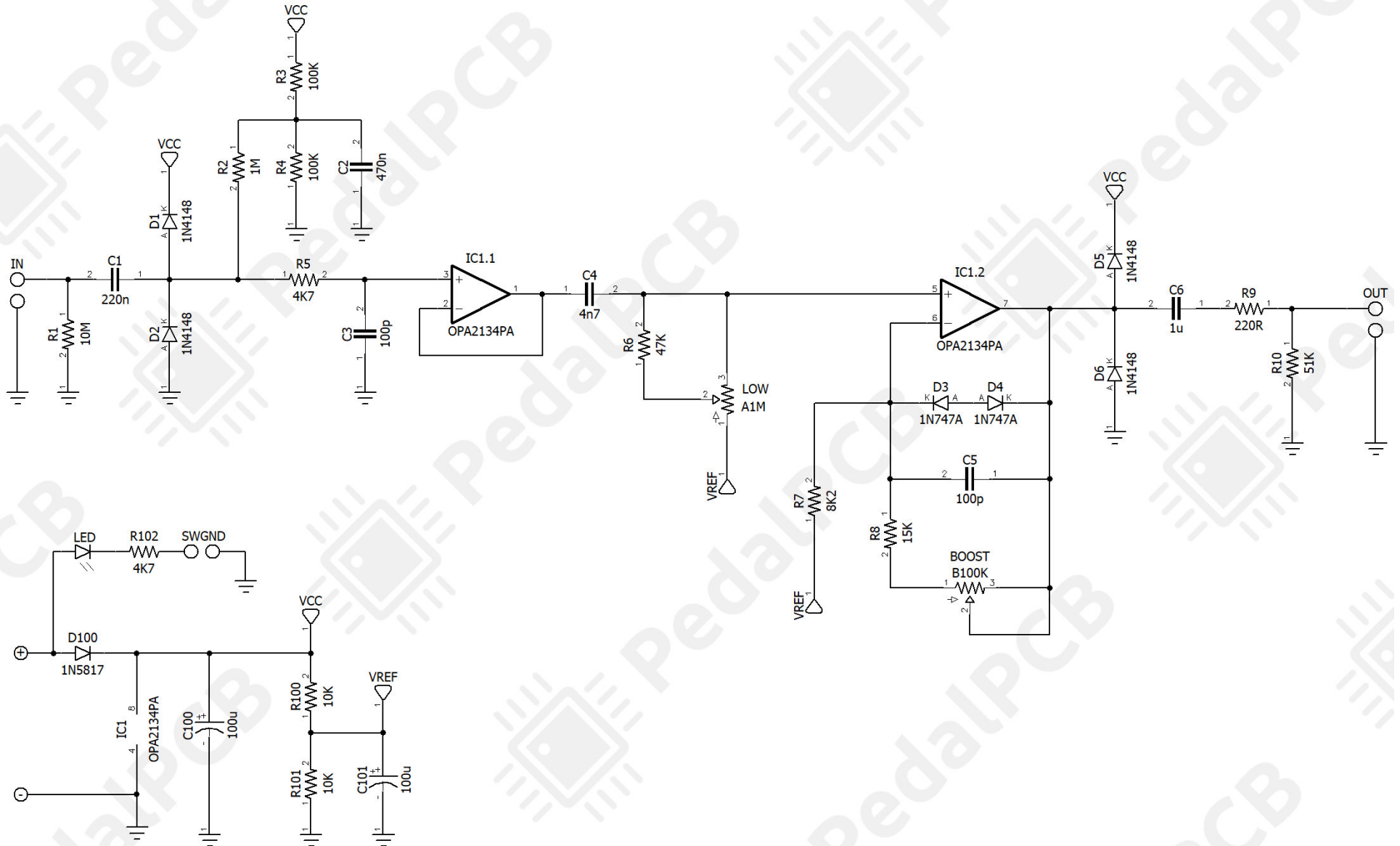


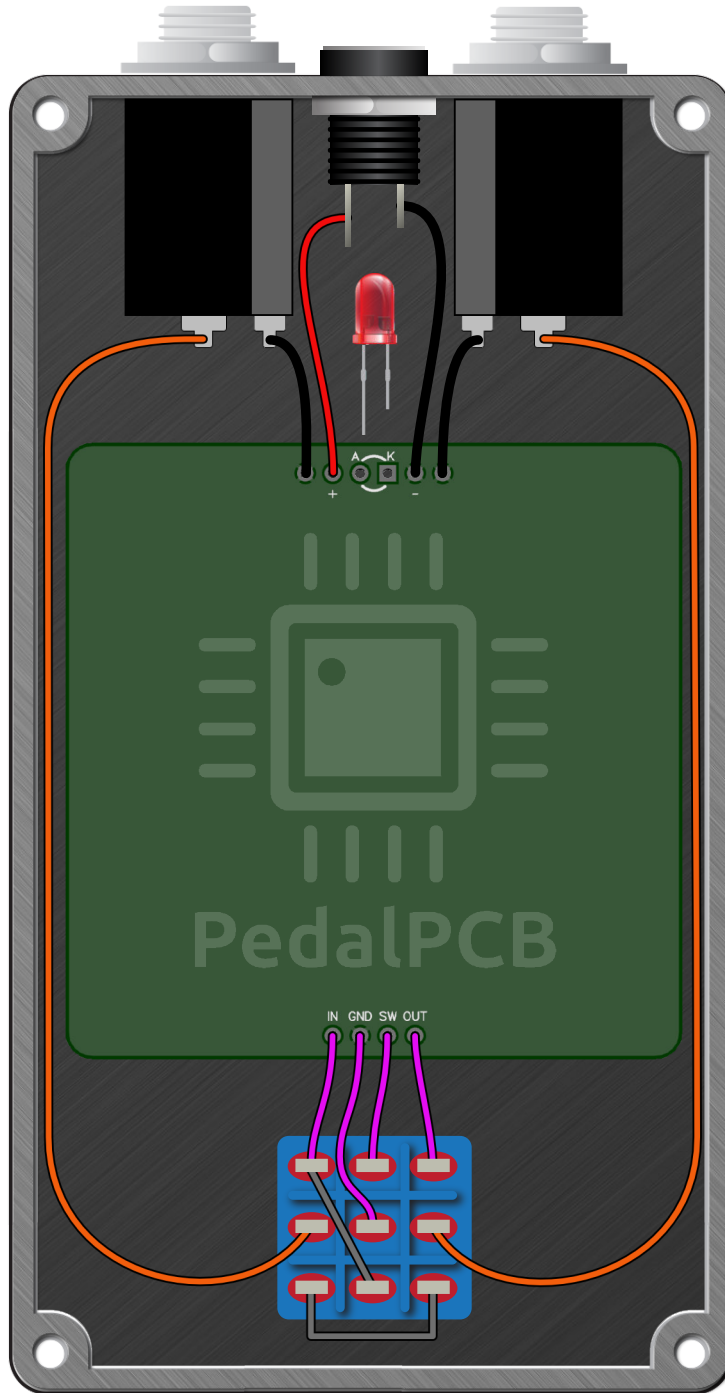
Alternate Parts

Substitute D3 and D4 with germanium diodes for dirty boost (1N34A, 1N270, D9E, etc)

Arche Boost

Schematic Diagram





Arche Boost

Drill Template
125B Enclosure

