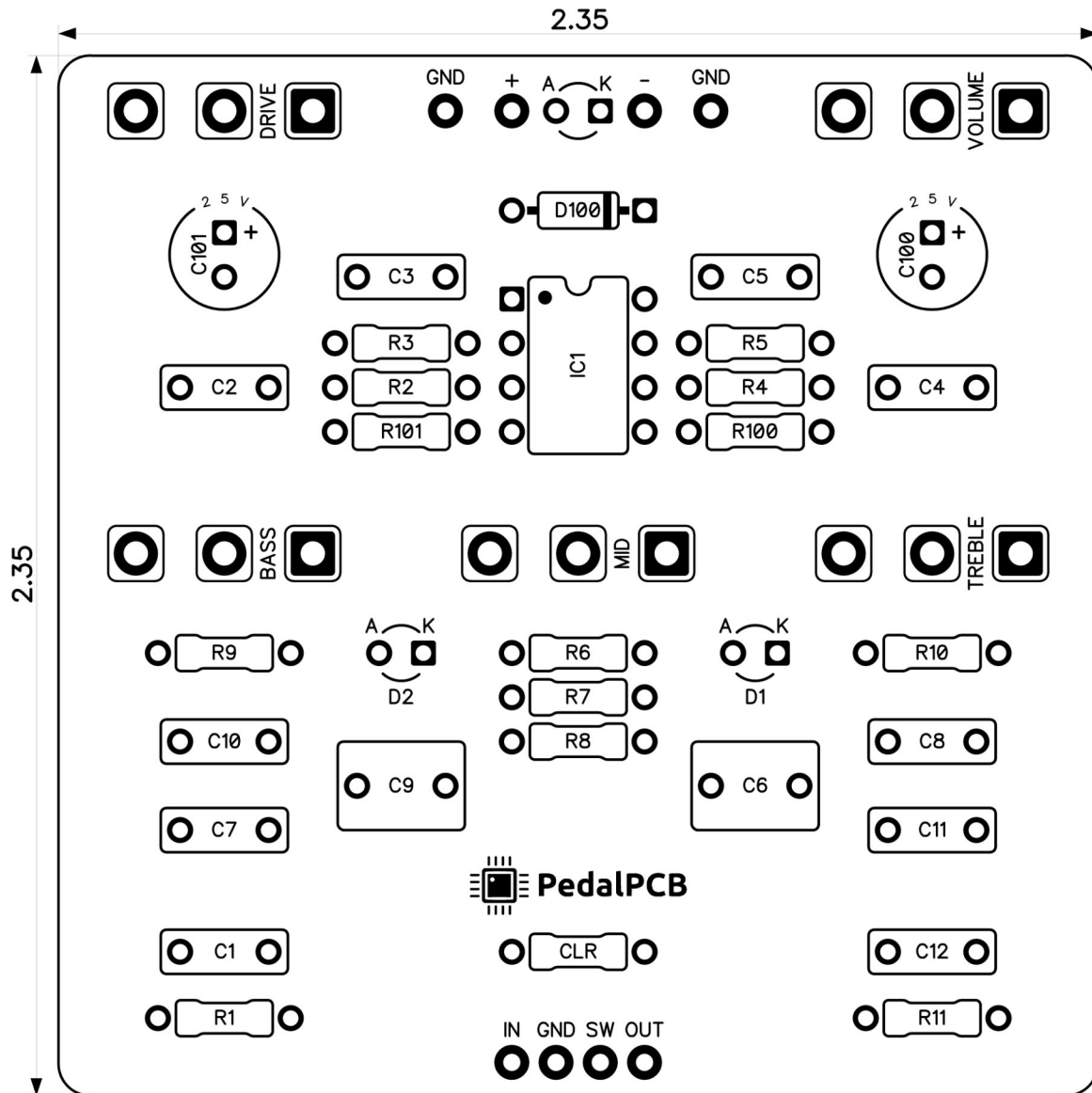


PedalPCB

Appetizer Overdrive

Revised 4/4/24



CONTROLS AND FEATURES

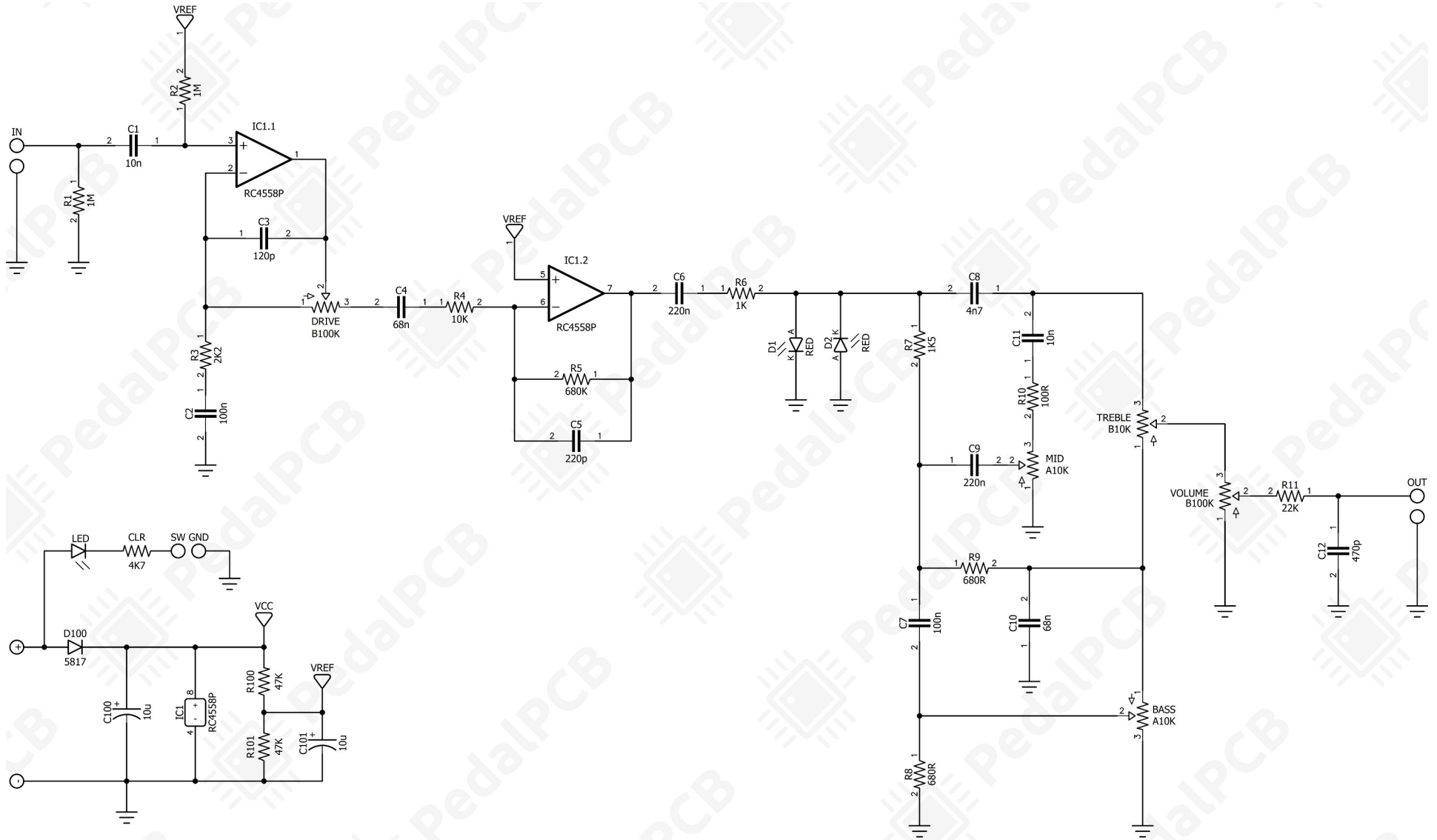
- Volume
- Drive
- Treble
- Mid
- Bass

All trademarks and registered trademarks are the property of their respective owners. The company, product, and service names used in this web site are for identification purposes only. Use of these names, logos, and brands does not imply endorsement.

LOCATION	VALUE	TYPE	NOTES
R1	1M	Resistor, 1/4W	
R2	1M	Resistor, 1/4W	
R3	2K2	Resistor, 1/4W	
R4	10K	Resistor, 1/4W	
R5	680K	Resistor, 1/4W	
R6	1K	Resistor, 1/4W	
R7	1K5	Resistor, 1/4W	
R8	680R	Resistor, 1/4W	
R9	680R	Resistor, 1/4W	
R10	100R	Resistor, 1/4W	
R11	22K	Resistor, 1/4W	
R100	47K	Resistor, 1/4W	
R101	47K	Resistor, 1/4W	
CLR	4K7	Resistor, 1/4W	* LED current limiting resistor
C1	10n	Film capacitor, 7.2 x 2.5mm	
C2	100n	Film capacitor, 7.2 x 2.5mm	
C3	120p	Ceramic capacitor	
C4	68n	Film capacitor, 7.2 x 2.5mm	
C5	220p	Ceramic capacitor	
C6	220n	Film capacitor, 7.2 x 5.0mm	
C7	100n	Film capacitor, 7.2 x 2.5mm	
C8	4n7	Film capacitor, 7.2 x 2.5mm	
C9	220n	Film capacitor, 7.2 x 5.0mm	
C10	68n	Film capacitor, 7.2 x 2.5mm	
C11	10n	Film capacitor, 7.2 x 2.5mm	
C12	470p	Ceramic capacitor	
C100	10u	Electrolytic capacitor, 5mm	
C101	10u	Electrolytic capacitor, 5mm	
D1	RED	3mm Red LED, Diffused	
D2	RED	3mm Red LED, Diffused	
D100	1N5817	Schottky diode, DO-41	
IC1	RC4558P	Dual op-amp, DIP8	
VOLUME	B100K	16mm right-angle PCB mount pot	
DRIVE	B100K	16mm right-angle PCB mount pot	
TREBLE	B10K	16mm right-angle PCB mount pot	
MID	A10K	16mm right-angle PCB mount pot	
BASS	A10K	16mm right-angle PCB mount pot	

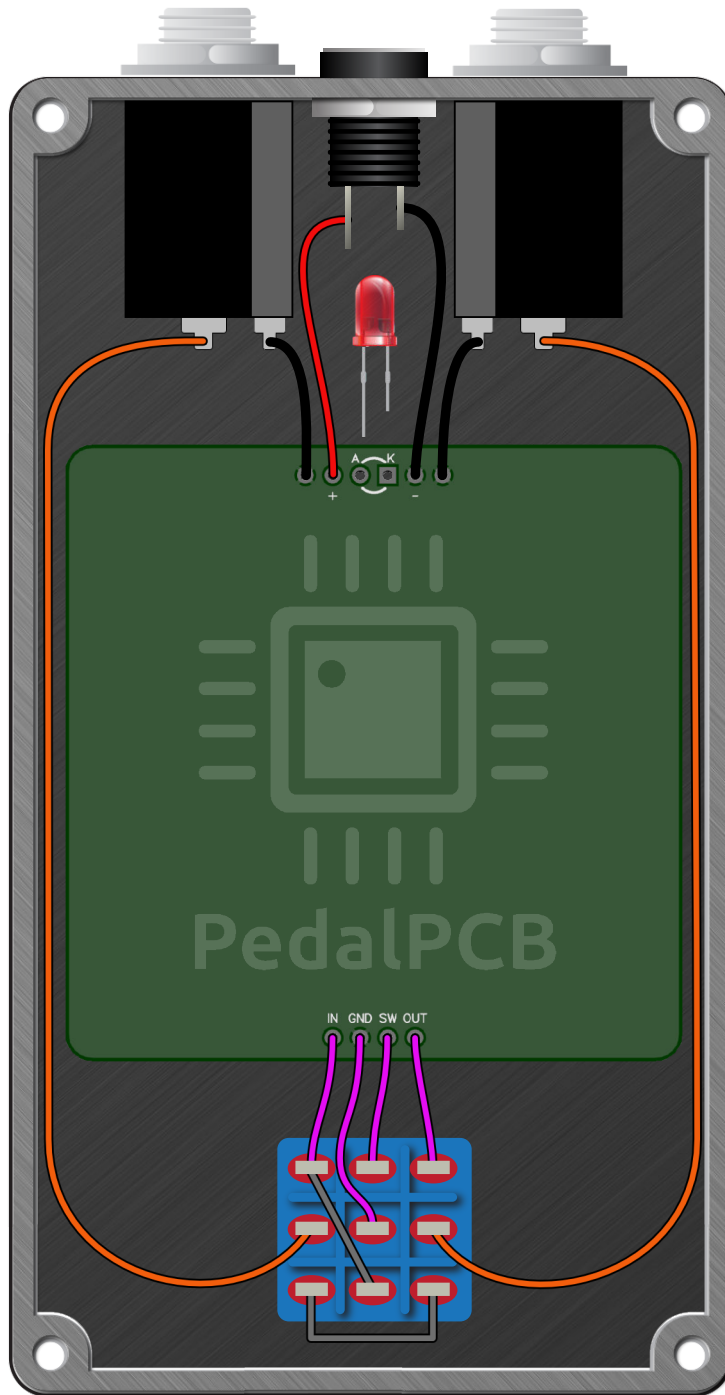
Appetizer Overdrive

Schematic Diagram



Appetizer Overdrive

Wiring Diagram



Appetizer Overdrive

Drill Template
125B Enclosure

