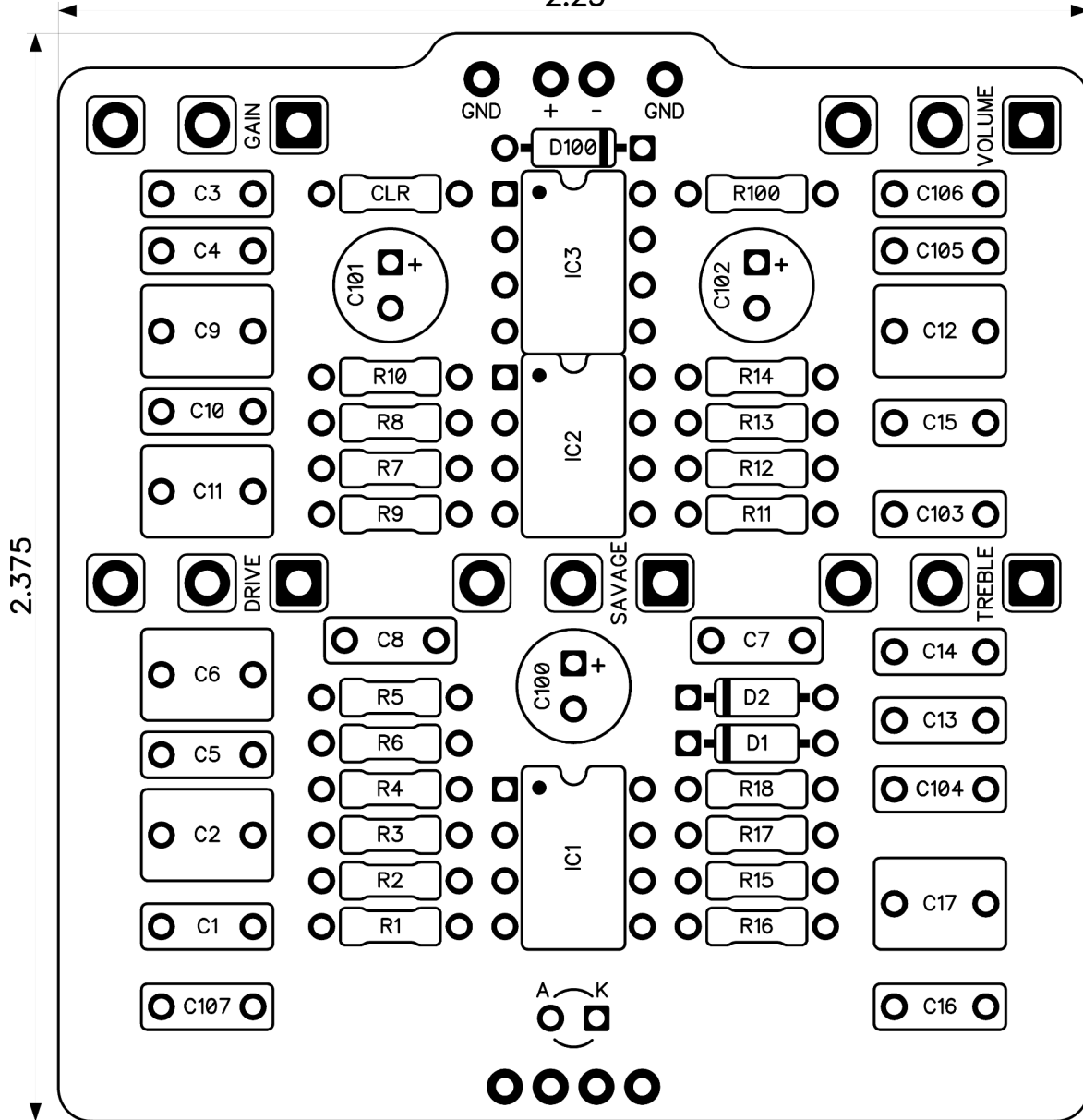




# Aphrodite Overdrive

Revised 12/15/23

2.25

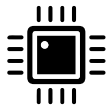


## CONTROLS AND FEATURES

- Volume
- Gain
- Treble
- Savage
- Drive

All trademarks and registered trademarks are the property of their respective owners. The company, product, and service names used in this web site are for identification purposes only. Use of these names, logos, and brands does not imply endorsement.

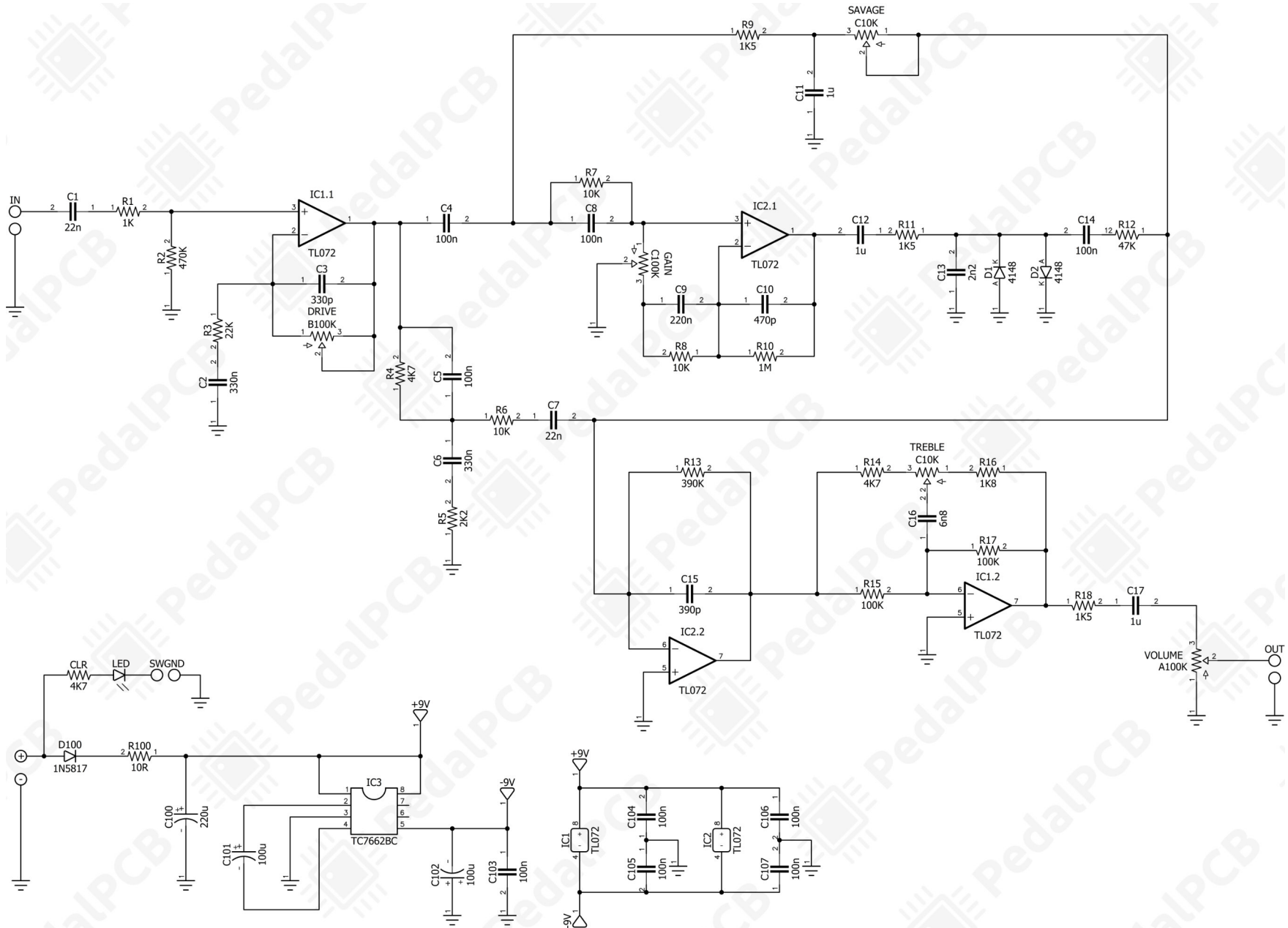




LOCATION	VALUE	TYPE	NOTES
D1	1N4148	Signal diode, DO-35	
D2	1N4148	Signal diode, DO-35	
D100	1N5817	Schottky diode, DO-41, 1/4W	
IC1	TL072	Dual op-amp, DIP8	
IC2	TL072	Dual op-amp, DIP8	
IC3	TC7662BC	Charge pump IC, DIP8	
DRIVE	B100K	16mm right-angle PCB mount pot	
GAIN	C100K	16mm right-angle PCB mount pot	
SAVAGE	C10K	16mm right-angle PCB mount pot	
TREBLE	C10K	16mm right-angle PCB mount pot	
VOLUME	A100K	16mm right-angle PCB mount pot	

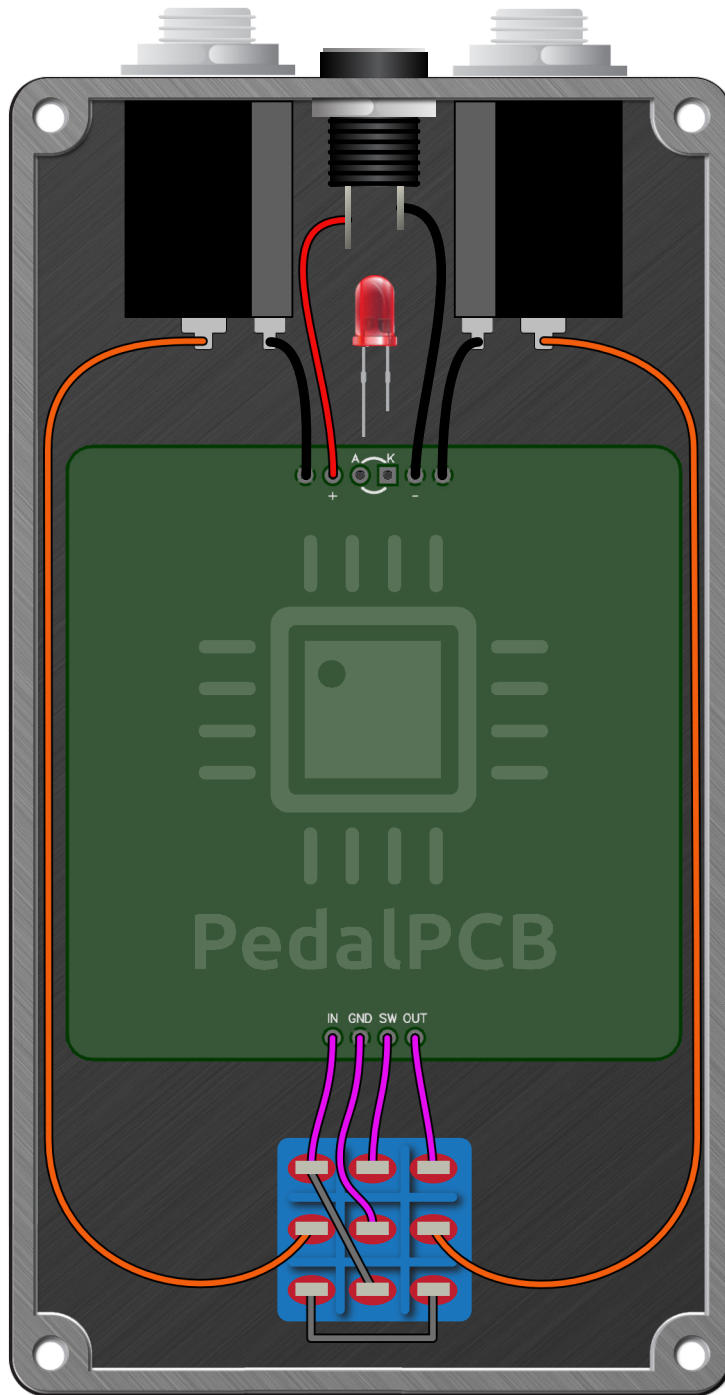
# Aphrodite Overdrive

## Schematic Diagram



# Aphrodite Overdrive

Wiring Diagram



# Aphrodite Overdrive

Drill Template  
125B Enclosure

