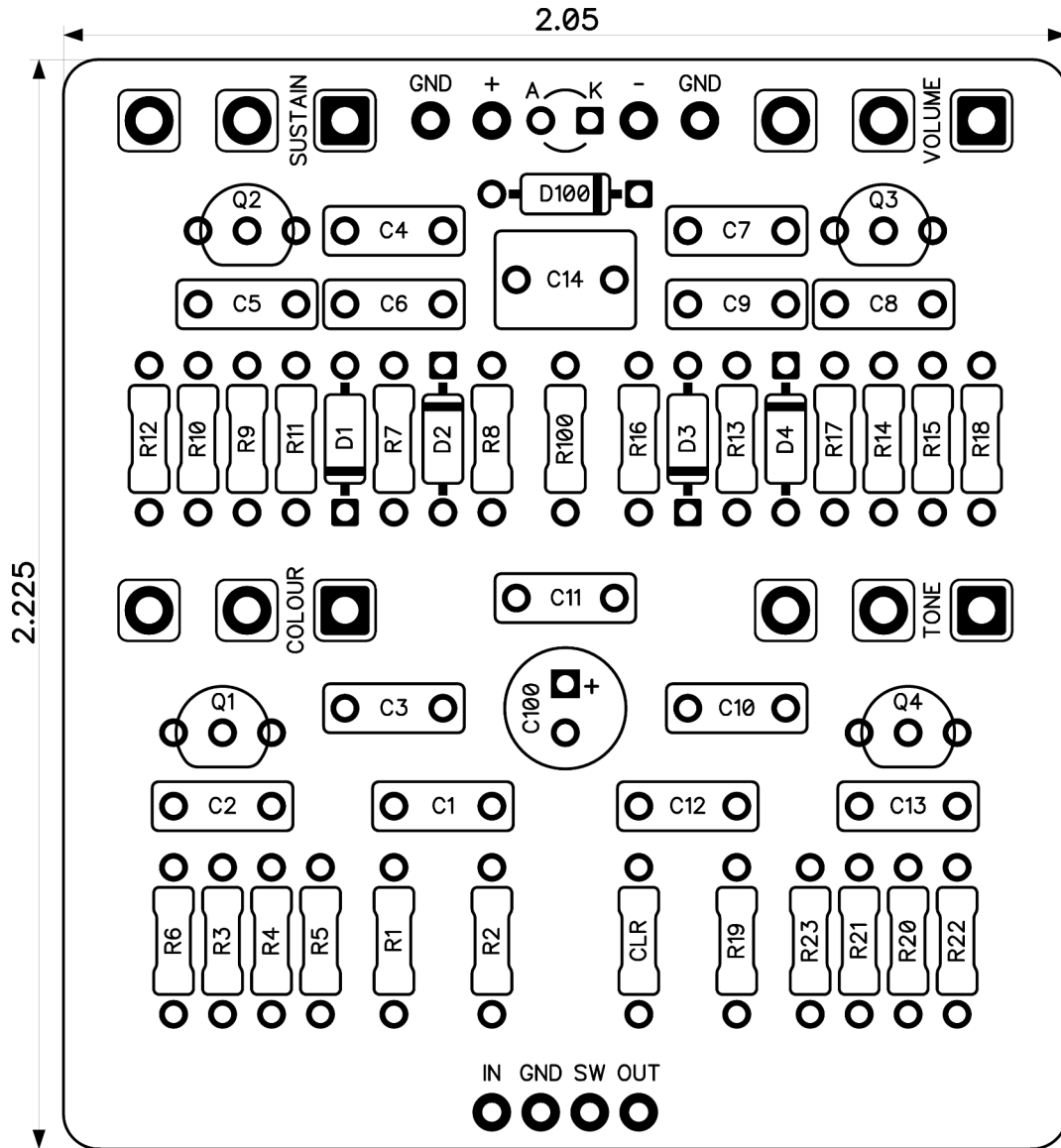




Anvil Fuzz

Revised 12/15/23



CONTROLS AND FEATURES

- Volume
- Sustain
- Tone
- Colour

All trademarks and registered trademarks are the property of their respective owners. The company, product, and service names used in this web site are for identification purposes only. Use of these names, logos, and brands does not imply endorsement.

LOCATION	VALUE	TYPE	NOTES
R1	1M	Resistor, 1/4W	
R2	30K	Resistor, 1/4W	
R3	100K	Resistor, 1/4W	
R4	470K	Resistor, 1/4W	
R5	10K	Resistor, 1/4W	
R6	120R	Resistor, 1/4W	
R7	820R	Resistor, 1/4W	
R8	10K	Resistor, 1/4W	
R9	56K	Resistor, 1/4W	
R10	470K	Resistor, 1/4W	
R11	10K	Resistor, 1/4W	
R12	220R	Resistor, 1/4W	
R13	10K	Resistor, 1/4W	
R14	470K	Resistor, 1/4W	
R15	100K	Resistor, 1/4W	
R16	22K	Resistor, 1/4W	
R17	390R	Resistor, 1/4W	
R18	18K	Resistor, 1/4W	
R19	33K	Resistor, 1/4W	
R20	470K	Resistor, 1/4W	
R21	100K	Resistor, 1/4W	
R22	10K	Resistor, 1/4W	
R23	2K	Resistor, 1/4W	
R100	100R	Resistor, 1/4W	
CLR	4K7	Resistor, 1/4W	* LED current limiting resistor
C1	68n	Film capacitor, 7.2 x 2.5mm	
C2	560p	Ceramic capacitor	
C3	56n	Film capacitor, 7.2 x 2.5mm	
C4	100n	Film capacitor, 7.2 x 2.5mm	
C5	560p	Ceramic capacitor	
C6	100n	Film capacitor, 7.2 x 2.5mm	
C7	100n	Film capacitor, 7.2 x 2.5mm	
C8	560p	Ceramic capacitor	
C9	100n	Film capacitor, 7.2 x 2.5mm	
C10	6n8	Film capacitor, 7.2 x 2.5mm	
C11	33n	Film capacitor, 7.2 x 2.5mm	
C12	10n	Film capacitor, 7.2 x 2.5mm	
C13	100n	Film capacitor, 7.2 x 2.5mm	
C14	330n	Film capacitor, 7.2 x 5.0mm	
C100	100u	Electrolytic capacitor, 5mm	
D1	1N4148	Signal diode, DO-35	
D2	1N4148	Signal diode, DO-35	
D3	1N4148	Signal diode, DO-35	
D4	1N4148	Signal diode, DO-35	
D100	1N5817	Schottky diode, DO-41	
Q1	2N5088	BJT transistor, NPN TO-92	
Q2	2N5088	BJT transistor, NPN TO-92	
Q3	2N5088	BJT transistor, NPN TO-92	
Q4	2N5088	BJT transistor, NPN TO-92	
VOLUME	A100K	16mm right-angle PCB mount pot	
SUSTAIN	B100K	16mm right-angle PCB mount pot	
TONE	B100K	16mm right-angle PCB mount pot	
COLOUR	B100K	16mm right-angle PCB mount pot	

Anvil Fuzz

Schematic Diagram

