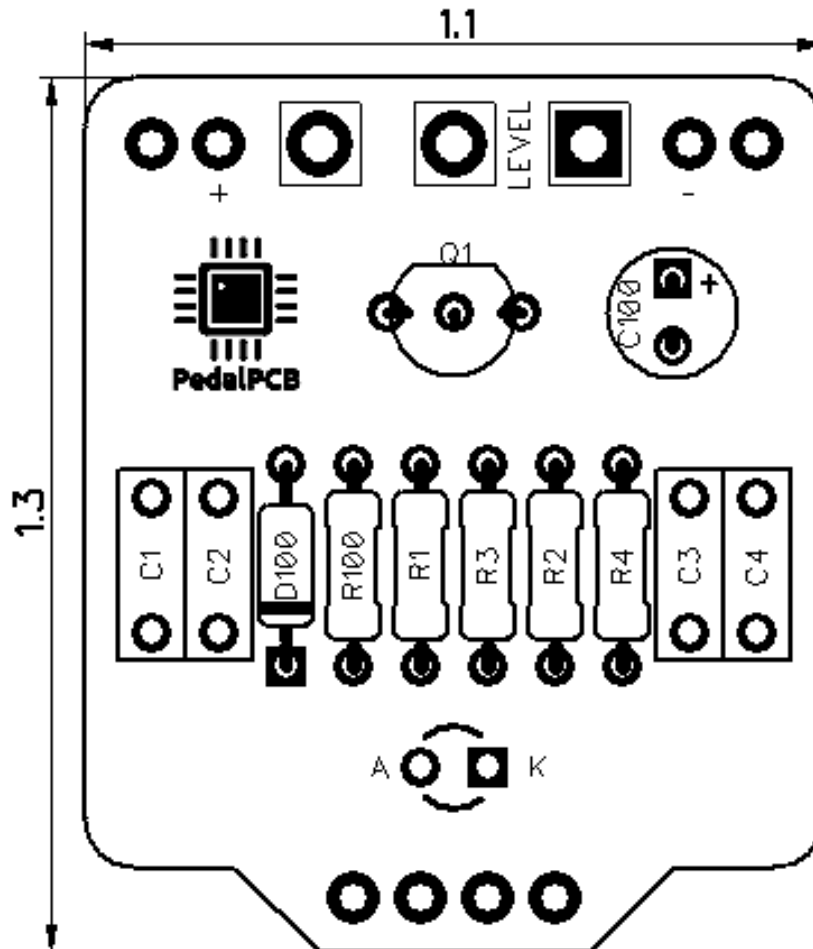


PedalPCB

Amentum Boost

Revision 07.11.19



Controls

- Level

RESISTORS (1/4W)

1	1K3	R2
1	4K7	R100
1	100K	R4
1	1M	R1
1	10M	R3

CAPACITORS

1	100p	C1
1	4n7	C2
1	10n	C3
1	100n	C4
1	100u	C100

TRANSISTORS

1	2N5089	Q1
---	--------	----

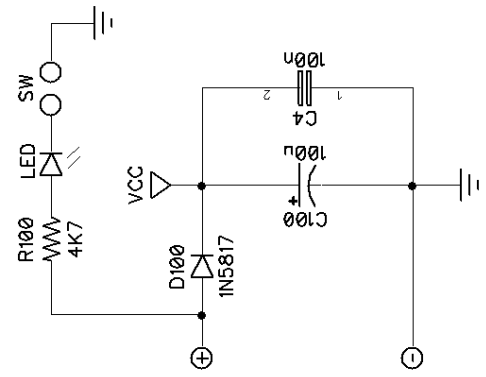
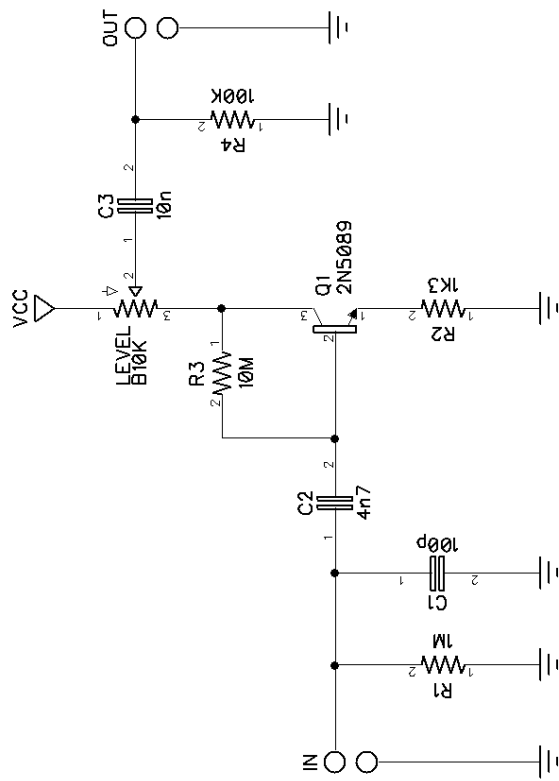
DIODES

1	1N5817	D100
---	--------	------

POTENTIOMETERS

1	B10K	LEVEL
---	------	-------

Amentum Boost



Amentum Boost

Wiring Diagram



Amentum Boost

Drill Template
125B enclosure with top mounted jacks

