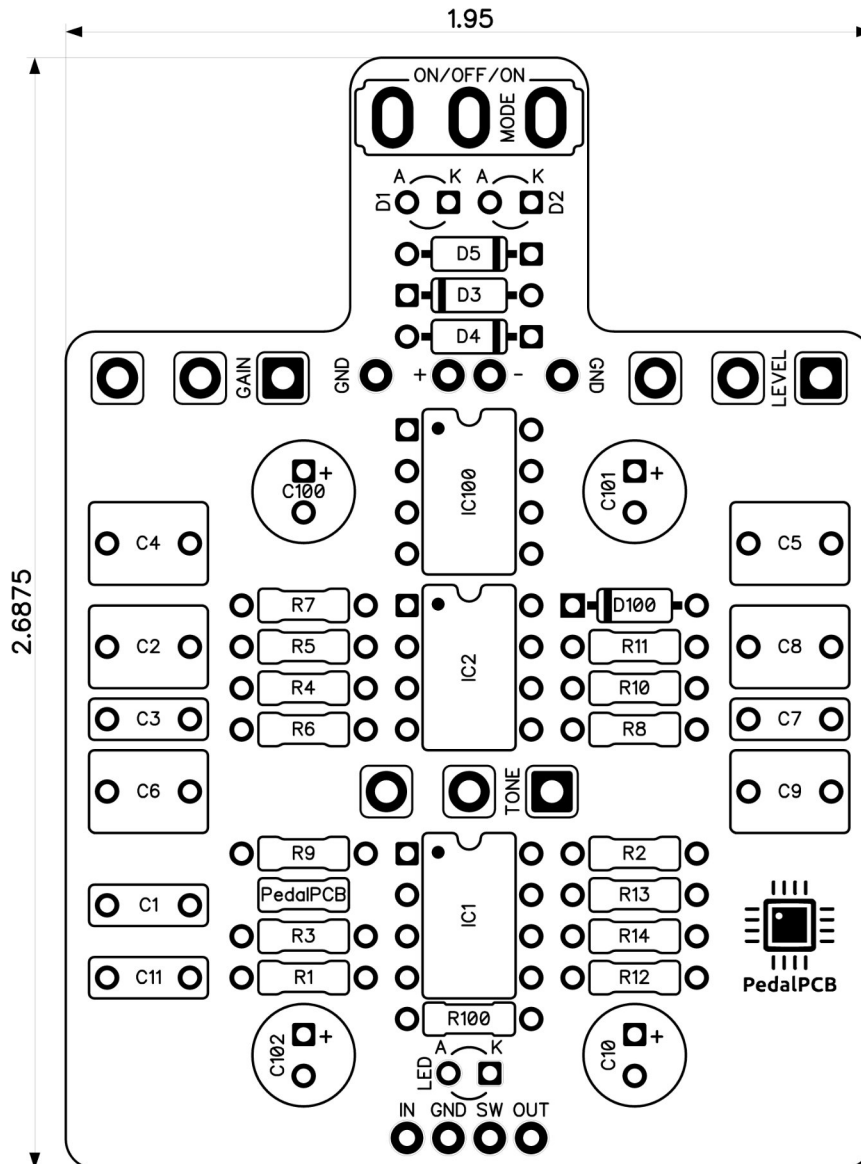


PedalPCB

Akronym Bass Overdrive

Revised 3/7/24



CONTROLS AND FEATURES

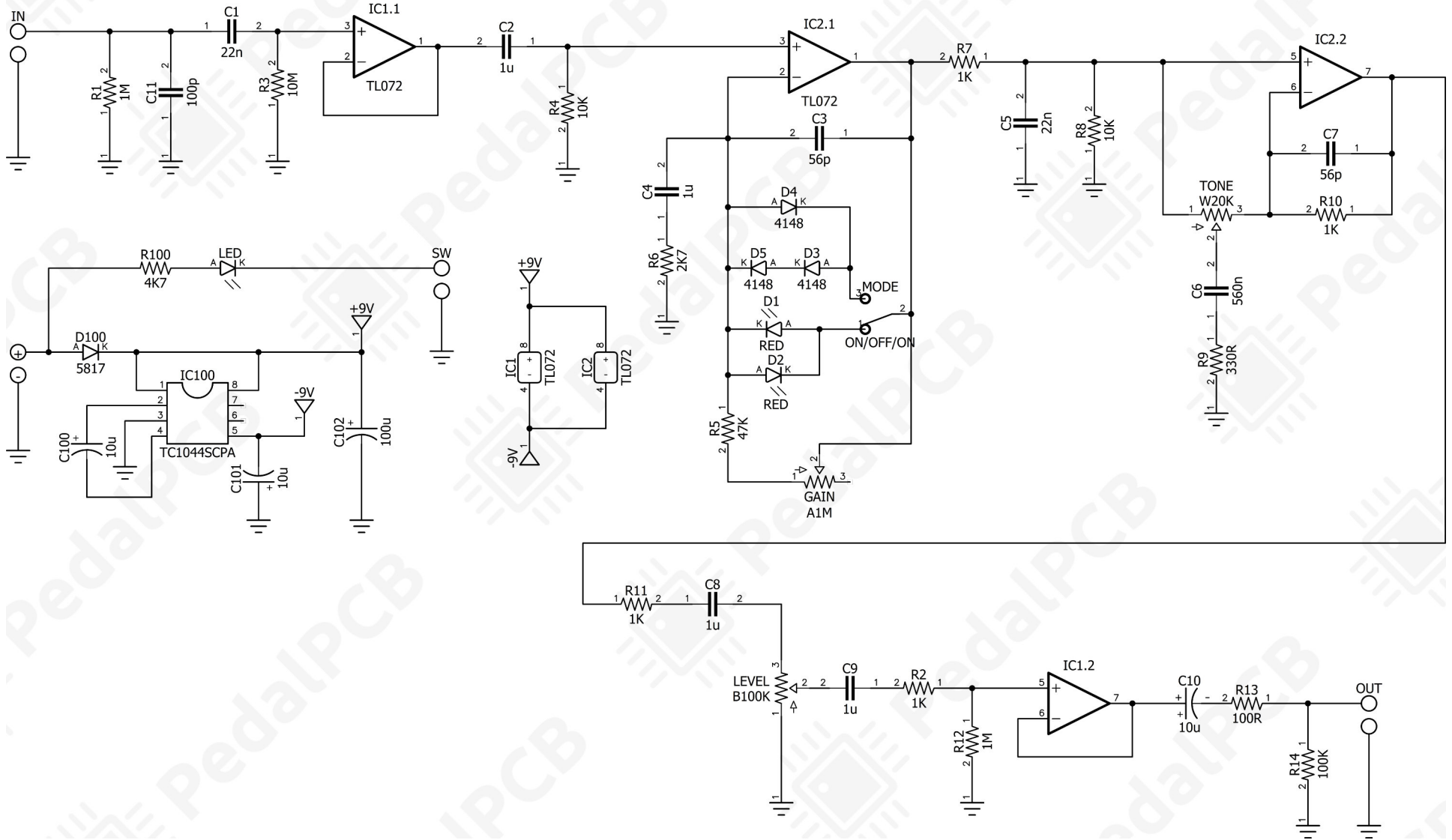
- Level
- Gain
- Tone
- Mode (Toggle switch)

All trademarks and registered trademarks are the property of their respective owners. The company, product, and service names used in this web site are for identification purposes only. Use of these names, logos, and brands does not imply endorsement.

LOCATION	VALUE	TYPE	NOTES
R1	1M	Resistor, 1/4W	
R2	1K	Resistor, 1/4W	
R3	10M	Resistor, 1/4W	
R4	10K	Resistor, 1/4W	
R5	47K	Resistor, 1/4W	
R6	2K7	Resistor, 1/4W	
R7	1K	Resistor, 1/4W	
R8	10K	Resistor, 1/4W	
R9	330R	Resistor, 1/4W	
R10	1K	Resistor, 1/4W	
R11	1K	Resistor, 1/4W	
R12	1M	Resistor, 1/4W	
R13	100R	Resistor, 1/4W	
R14	100K	Resistor, 1/4W	
R100	4K7	Resistor, 1/4W	* LED current limiting resistor
C1	22n	Film capacitor, 7.2 x 2.5mm	
C2	1u	Film capacitor, 7.2 x 5.0mm	
C3	56p	Ceramic capacitor	
C4	1u	Film capacitor, 7.2 x 5.0mm	
C5	22n	Film capacitor, 7.2 x 2.5mm	
C6	560n	Film capacitor, 7.2 x 5.0mm	
C7	56p	Ceramic capacitor	
C8	1u	Film capacitor, 7.2 x 5.0mm	
C9	1u	Film capacitor, 7.2 x 5.0mm	
C10	10u	Electrolytic capacitor, 5mm	
C11	100p	Ceramic capacitor	
C100	10u	Electrolytic capacitor, 5mm	
C101	10u	Electrolytic capacitor, 5mm	
C102	100u	Electrolytic capacitor, 5mm	
D1	RED	3mm Red LED, Diffused	
D2	RED	3mm Red LED, Diffused	
D3	1N4148	Signal diode, DO-35	
D4	1N4148	Signal diode, DO-35	
D5	1N4148	Signal diode, DO-35	
D100	1N5817	Schottky diode, DO-41	
IC1	TL072	Dual op-amp, DIP8	
IC2	TL072	Dual op-amp, DIP8	
IC100	TC1044SCPA	Charge pump IC, DIP8	
LEVEL	B100K	16mm right-angle PCB mount pot	
TONE	W20K	16mm right-angle PCB mount pot	
GAIN	A1M	16mm right-angle PCB mount pot	
MODE	ON/OFF/ON	Toggle switch, SPDT	3-position (ON/OFF/ON)

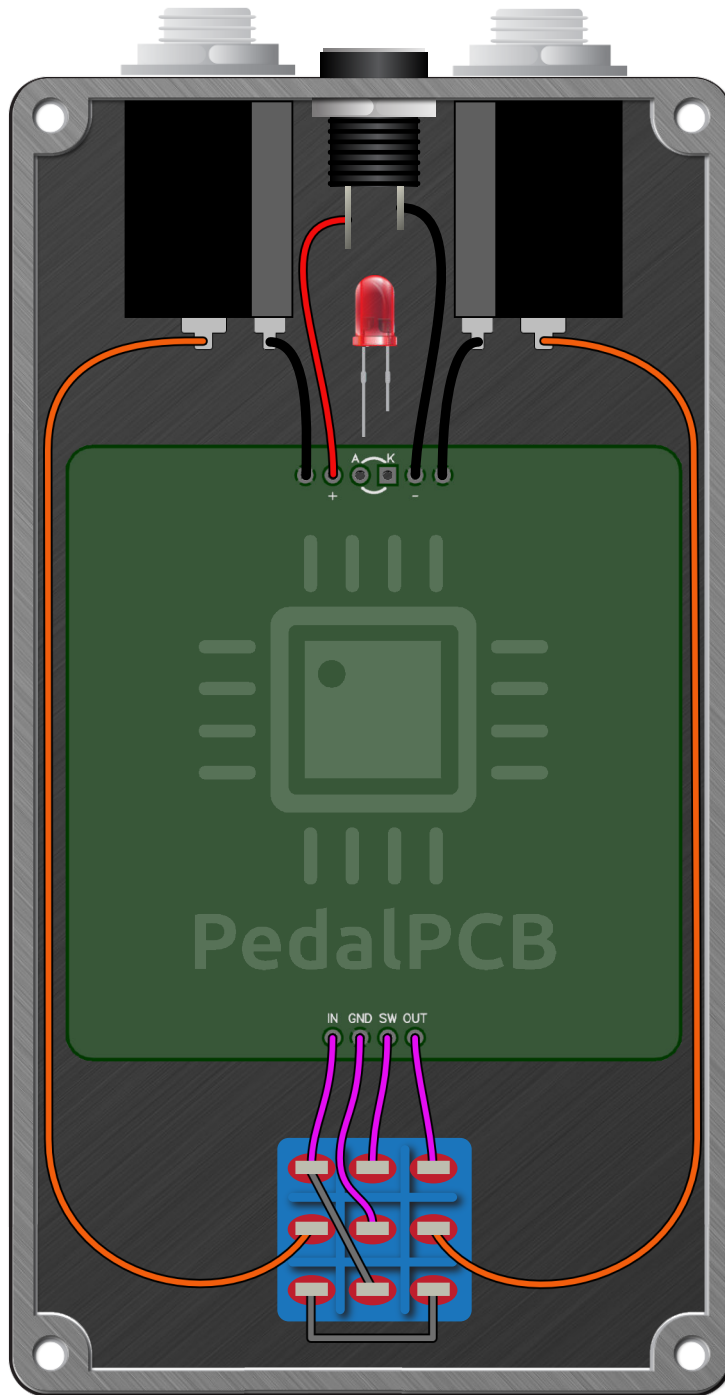
Akronym Bass Overdrive

Schematic Diagram



Akronym Bass Overdrive

Wiring Diagram



Akronym Bass Overdrive

Drill Template
125B Enclosure

