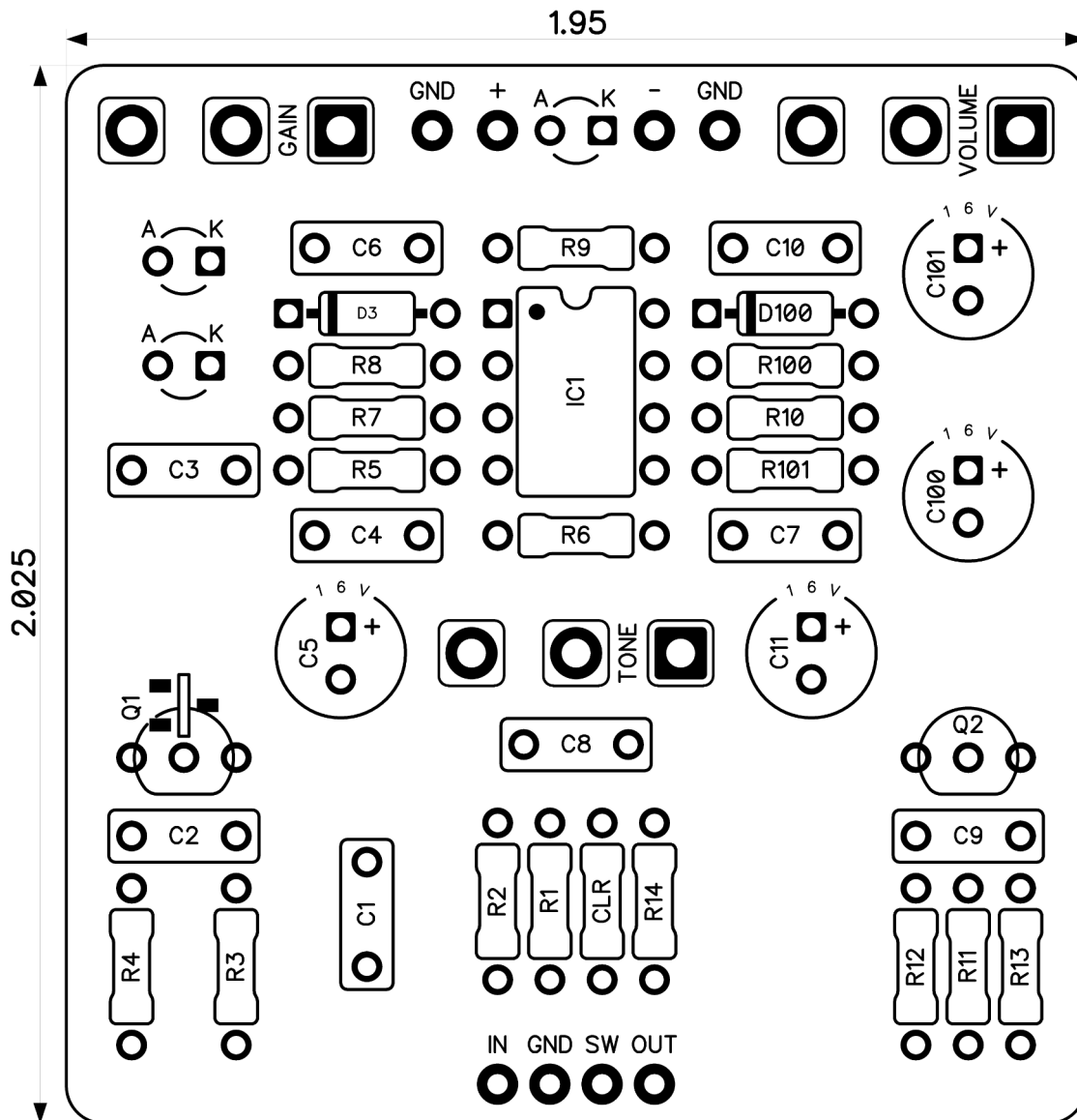


PedalPCB

Admiral Crunch

Revised 12/18/23



CONTROLS AND FEATURES

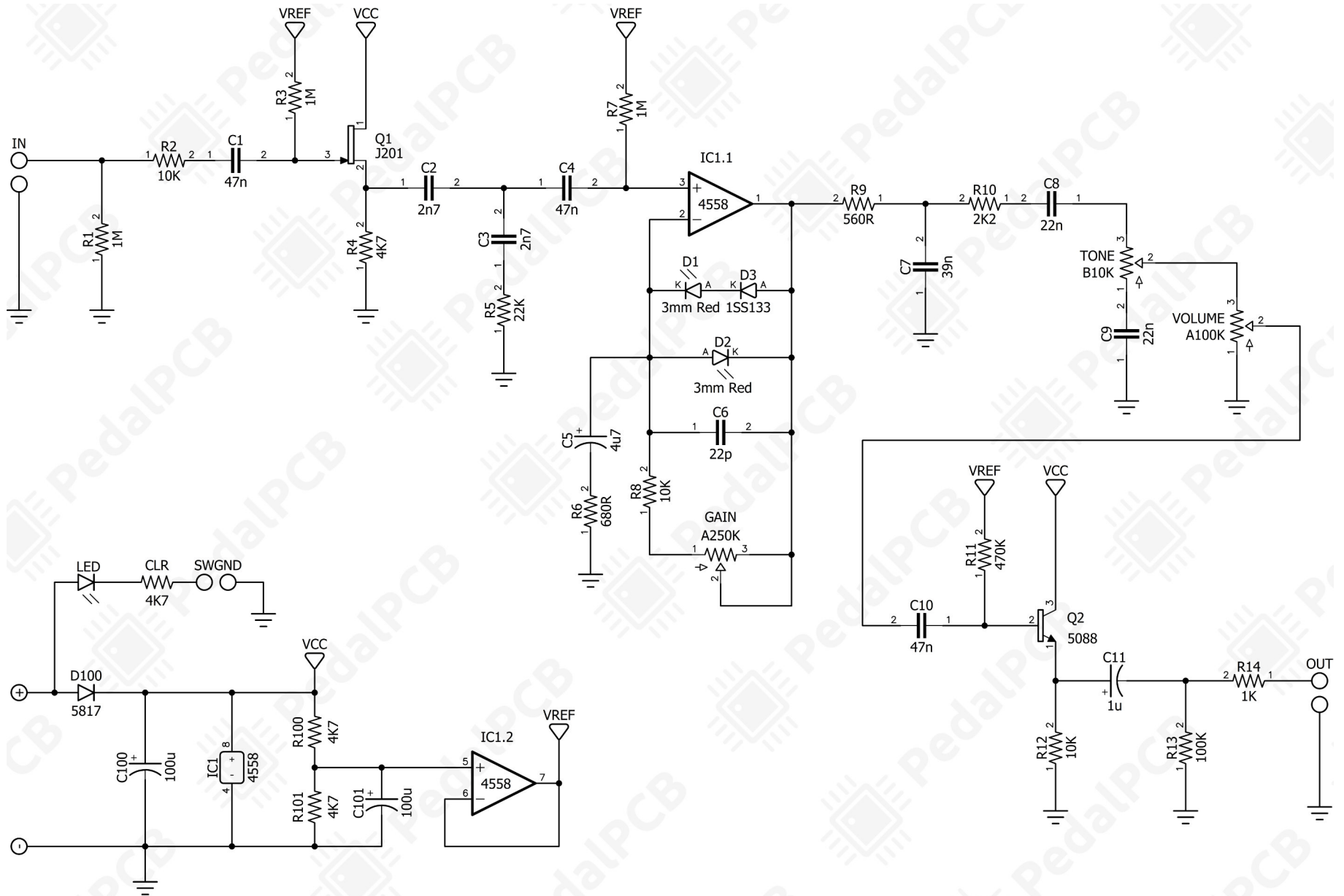
- Volume
- Tone
- Gain

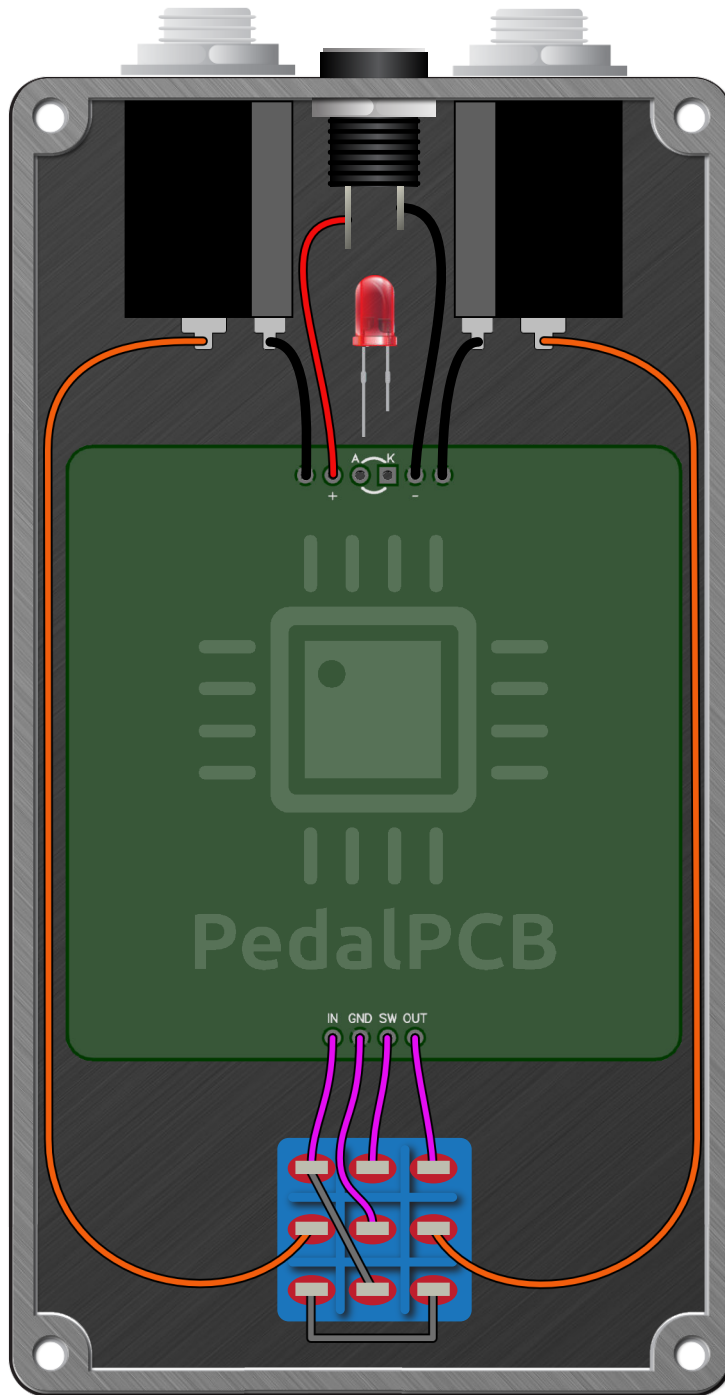
All trademarks and registered trademarks are the property of their respective owners. The company, product, and service names used in this web site are for identification purposes only. Use of these names, logos, and brands does not imply endorsement.

LOCATION	VALUE	TYPE	NOTES
R1	1M	Resistor, 1/4W	
R2	10K	Resistor, 1/4W	
R3	1M	Resistor, 1/4W	
R4	4K7	Resistor, 1/4W	
R5	22K	Resistor, 1/4W	
R6	680R	Resistor, 1/4W	
R7	1M	Resistor, 1/4W	
R8	10K	Resistor, 1/4W	
R9	560R	Resistor, 1/4W	
R10	2K2	Resistor, 1/4W	
R11	470K	Resistor, 1/4W	
R12	10K	Resistor, 1/4W	
R13	100K	Resistor, 1/4W	
R14	1K	Resistor, 1/4W	
R100	4K7	Resistor, 1/4W	
R101	4K7	Resistor, 1/4W	
CLR	4K7	Resistor, 1/4W	* LED current limiting resistor
C1	47n	Film capacitor, 7.2 x 2.5mm	
C2	2n7	Film capacitor, 7.2 x 2.5mm	
C3	2n7	Film capacitor, 7.2 x 2.5mm	
C4	47n	Film capacitor, 7.2 x 2.5mm	
C5	4u7	Electrolytic capacitor, 5mm	
C6	22p	Ceramic capacitor	
C7	39n	Film capacitor, 7.2 x 2.5mm	
C8	22n	Film capacitor, 7.2 x 2.5mm	
C9	22n	Film capacitor, 7.2 x 2.5mm	
C10	47n	Film capacitor, 7.2 x 2.5mm	
C11	1u	Electrolytic capacitor, 5mm	
C100	100u	Electrolytic capacitor, 5mm	
C101	100u	Electrolytic capacitor, 5mm	
D1	3mm Red	3mm Red LED, Diffused	
D2	3mm Red	3mm Red LED, Diffused	
D3	1SS133	General purpose diode, DO-35	
D100	1N5817	Schottky diode, DO-41	
Q1	J201	JFET transistor, N-channel	
Q2	2N5088	BJT transistor, NPN TO-92	
IC1	4558	Dual op-amp, DIP8	
VOLUME	A100K	16mm right-angle PCB mount pot	
TONE	B10K	16mm right-angle PCB mount pot	
GAIN	A250K	16mm right-angle PCB mount pot	

Admiral Crunch

Schematic Diagram





Admiral Crunch

Drill Template
125B Enclosure

