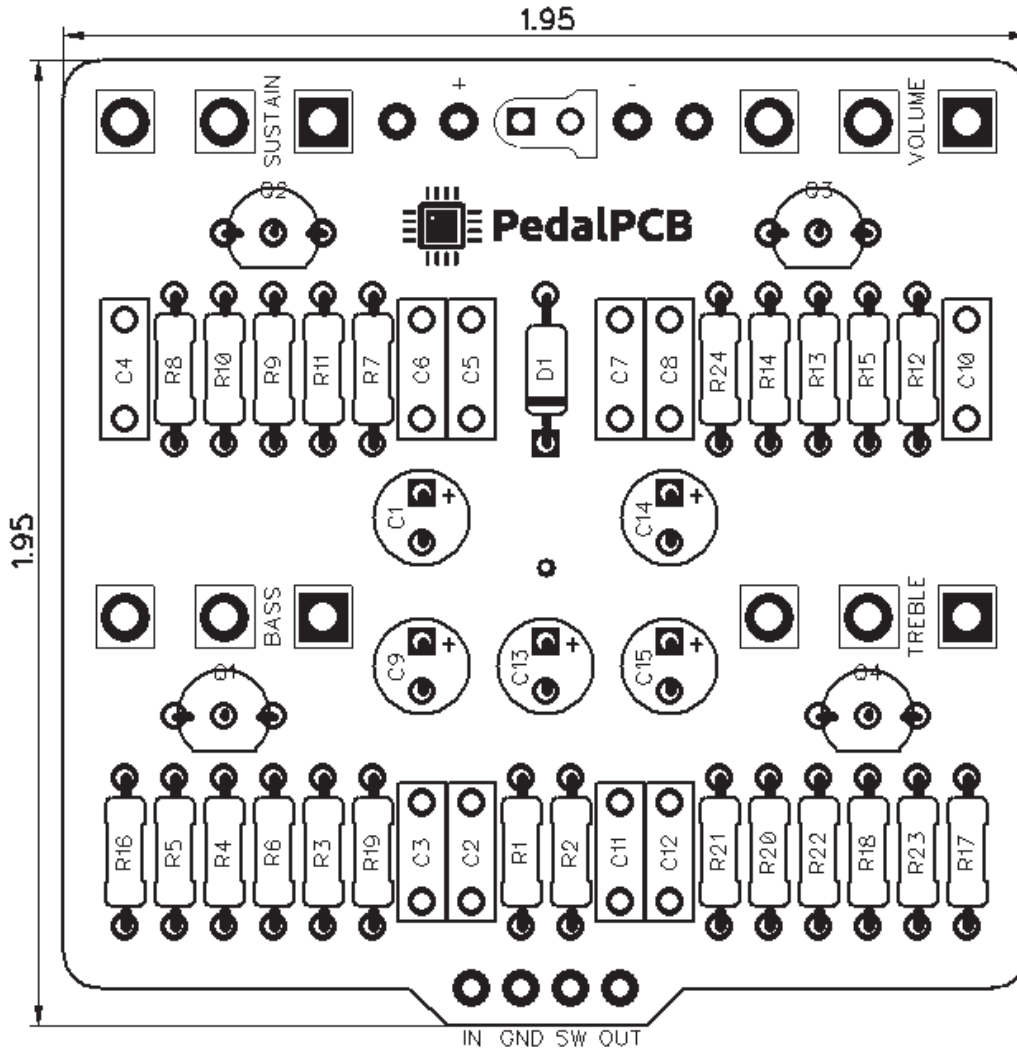




PedalPCB

Acid Rain Fuzz

Revision 01.30.19



Controls

- Volume
- Sustain
- Treble
- Bass

All trademarks and registered trademarks are the property of their respective owners. The company, product, and service names used in this web site are for identification purposes only. Use of these names, logos, and brands does not imply endorsement.

Acid Rain Fuzz

Parts List

RESISTORS (1/4W)

R1	1M
R2	4K7
R3	100K
R4	470K
R5	12K
R6	390R
R7	220R
R8	100K
R9	470K
R10	12K
R11	390R
R12	100K
R13	470K
R14	12K
R15	390R
R16	10K
R17	10K
R18	33K
R19	10K
R20	2M2
R21	4K7
R22	150R
R23	330R
R24	150R

CAPACITORS

C1	47u
C2	100n
C3	470p
C4	100n
C5	100n
C6	470p
C7	10n
C8	470p
C9	4u7
C10	2n2
C11	22n
C12	2n2
C13	4u7
C14	47u
C15	1u

TRANSISTORS

Q1	BC549C
Q2	BC549C
Q3	BC549C
Q4	BC549C

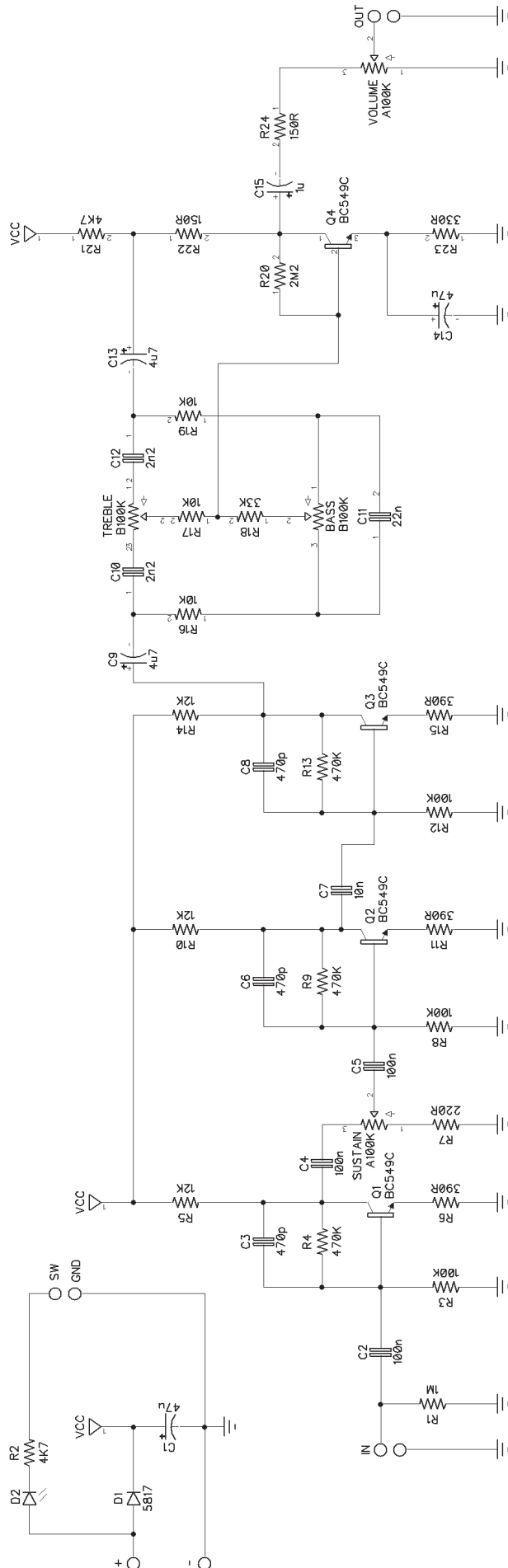
DIODES

D1	1N5817
----	--------

POTENTIOMETERS

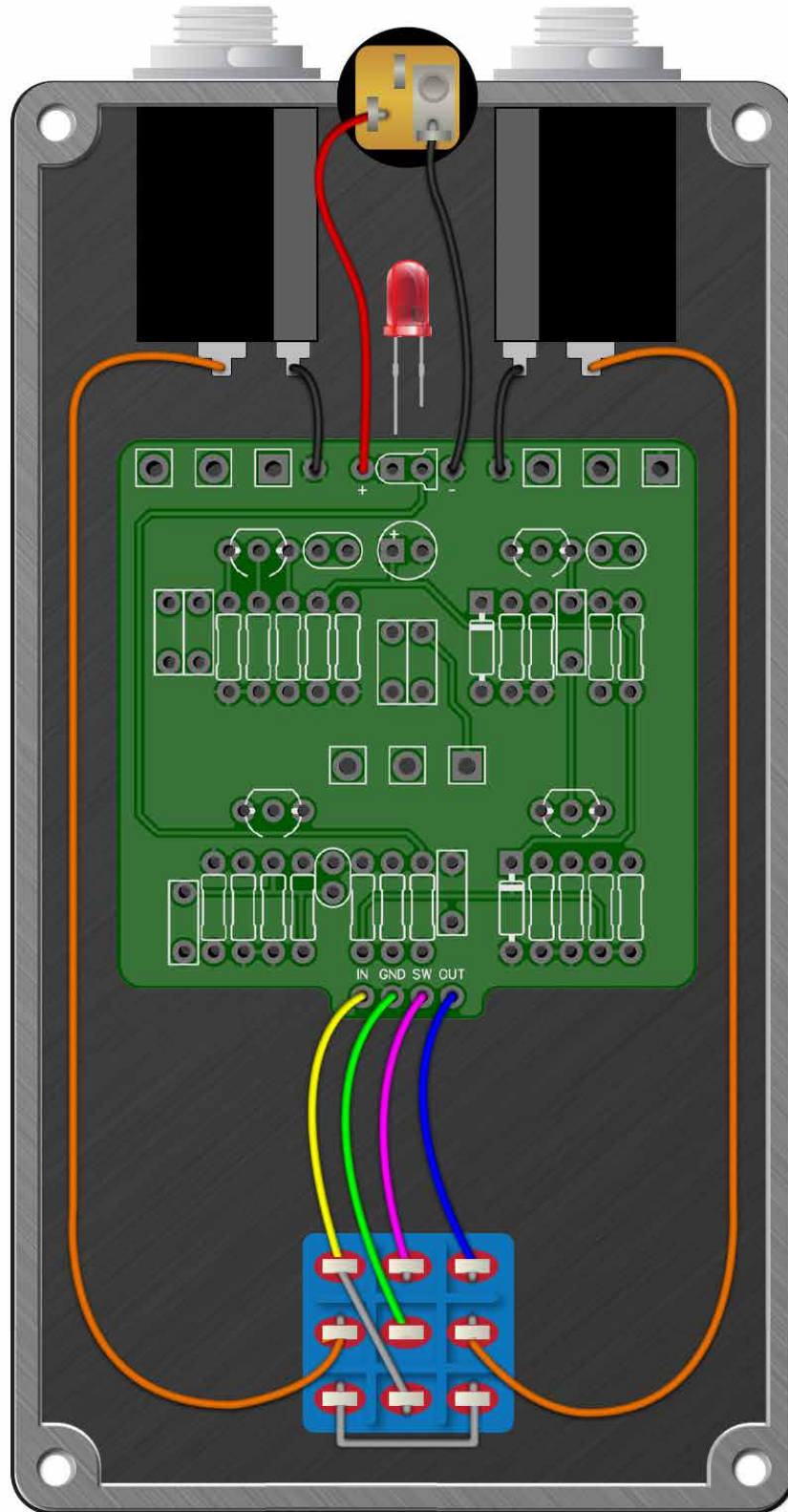
VOLUME	A100K
SUSTAIN	A100K
BASS	B100K
TREBLE	B100K

Acid Rain Fuzz



Acid Rain Fuzz

Wiring Diagram



Acid Rain Fuzz

Drill Template
125B enclosure with top mounted jacks

