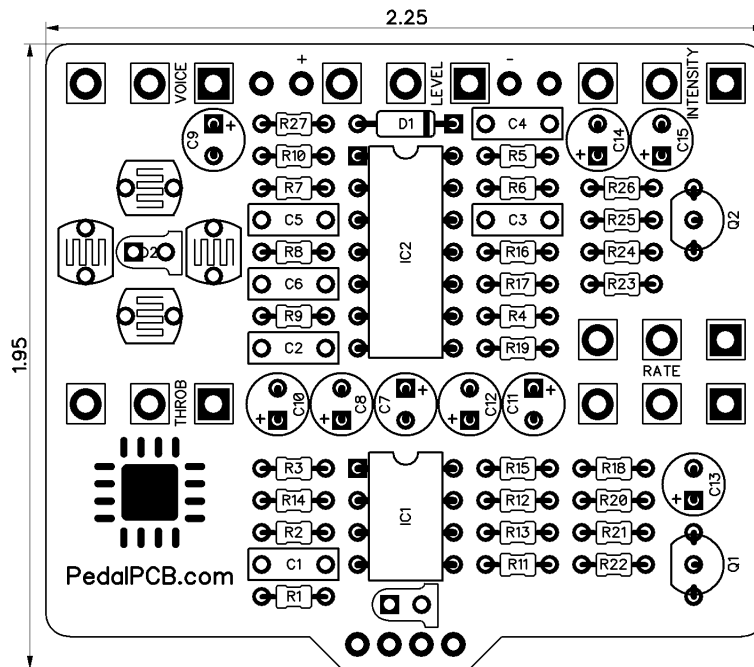


PedalPCB.com

The Abyss

Revision 06.12.20



Resistors (1/8W)

R1	1M	R20	3K3
R2	1M	R21	2M2
R3	47K	R22	15K
R4	47K	R23	4K7
R5	47K	R24	100K
R6	22K	R25	47K
R7	47K	R26	100R
R8	47K	R27	4K7
R9	47K		
R10	47K		
R11	100K		
R12	56K		
R13	10K		
R14	100K		
R15	10K		
R16	10K		
R17	220K		
R18	220K		
R19	3K3		

Capacitors

C1	100nF
C2	15nF
C3	220nF
C4	100pF
C5	4.7nF
C6	470pF
C7	1uF
C8	1uF
C9	100uF
C10	10uF
C11	1uF
C12	1uF
C13	1uF
C14	47uF
C15	47uF

Semiconductors

IC1	TL072
IC2	TL074
Q1	MPSA18
Q2	MPSA18
D1	1N5817
D2	5mm Yellow
LED	3mm Red

Potentiometers

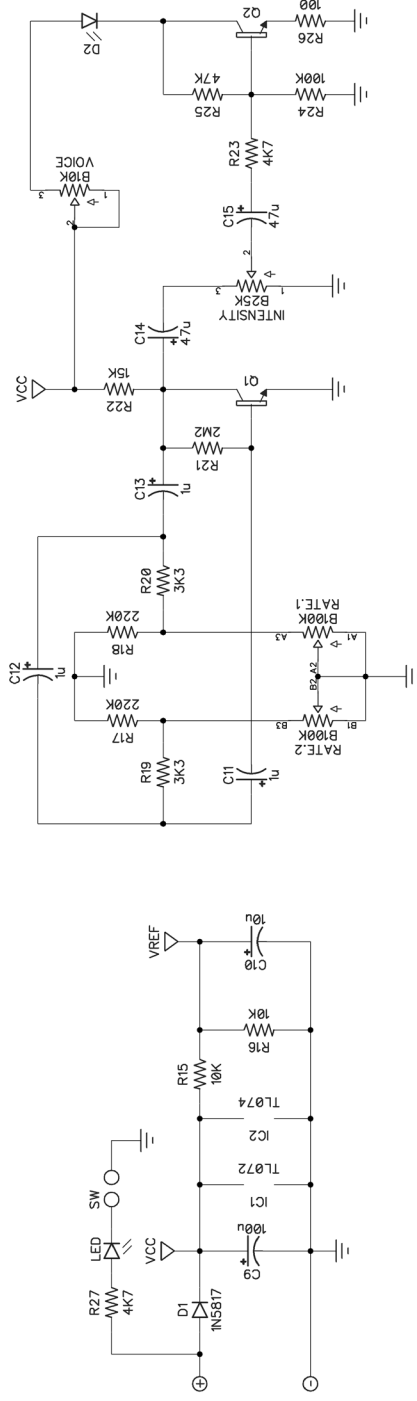
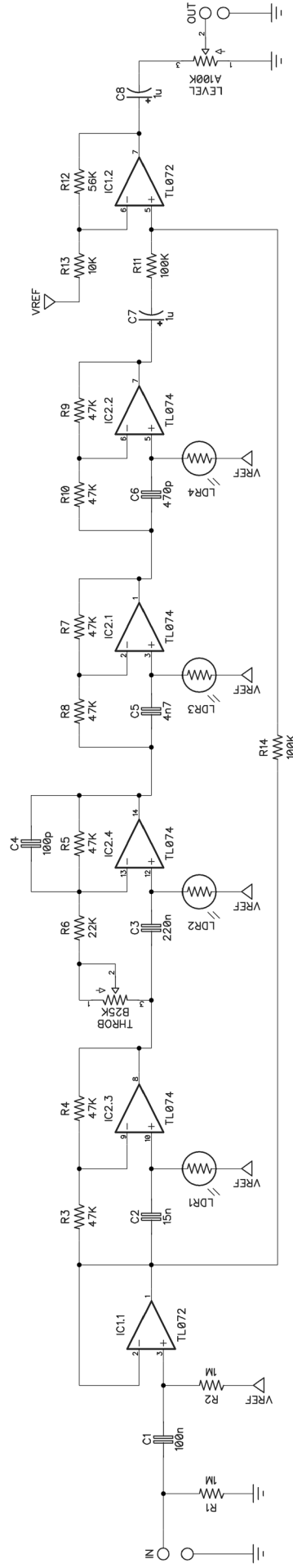
INTENSITY	B25K
RATE	B100K (Dual)
THROB	B25K
VOICE	B10K
LEVEL	A100K

**Rate is a dual-ganged B100K 16mm potentiometer*

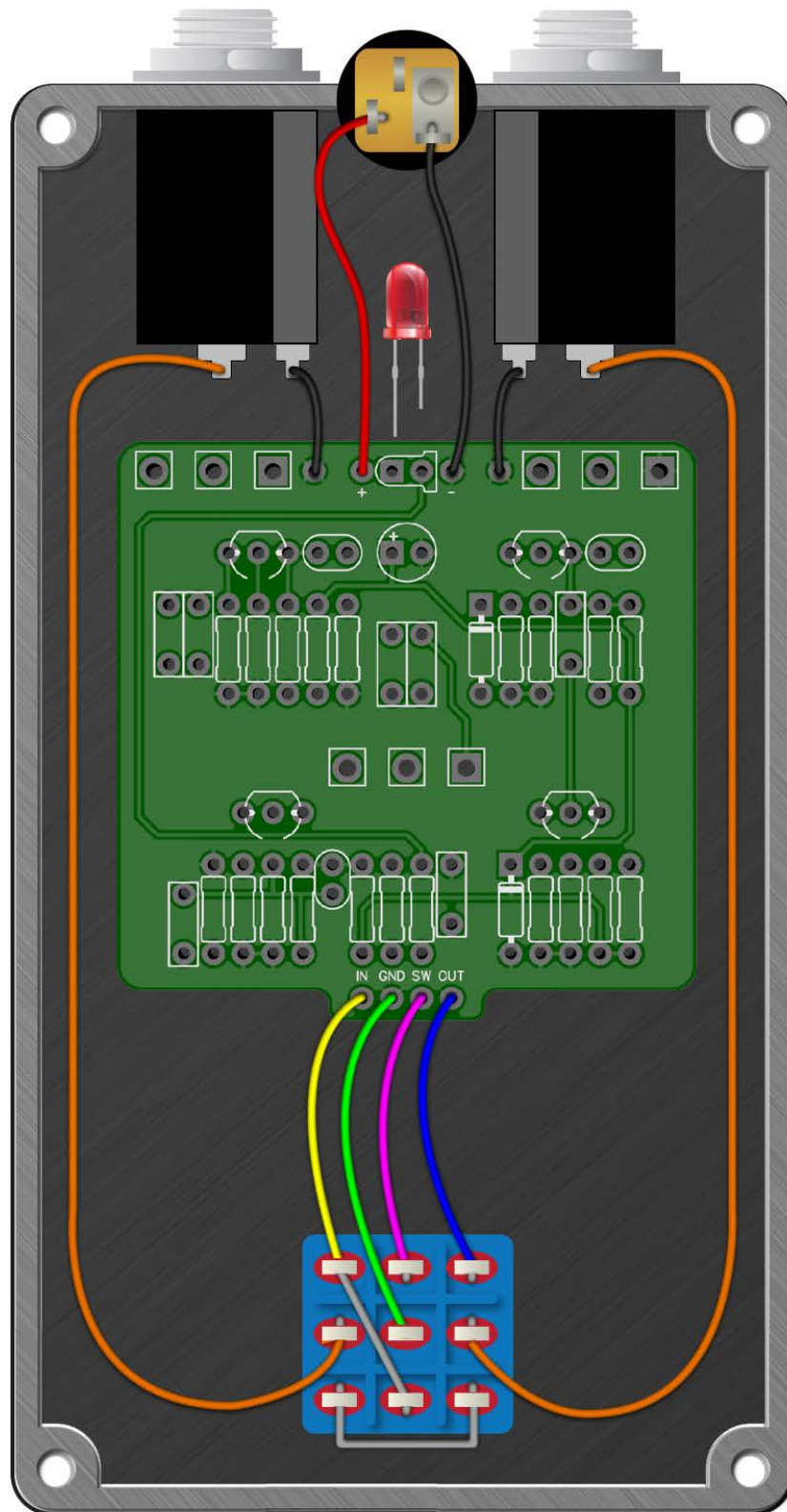
LDRs

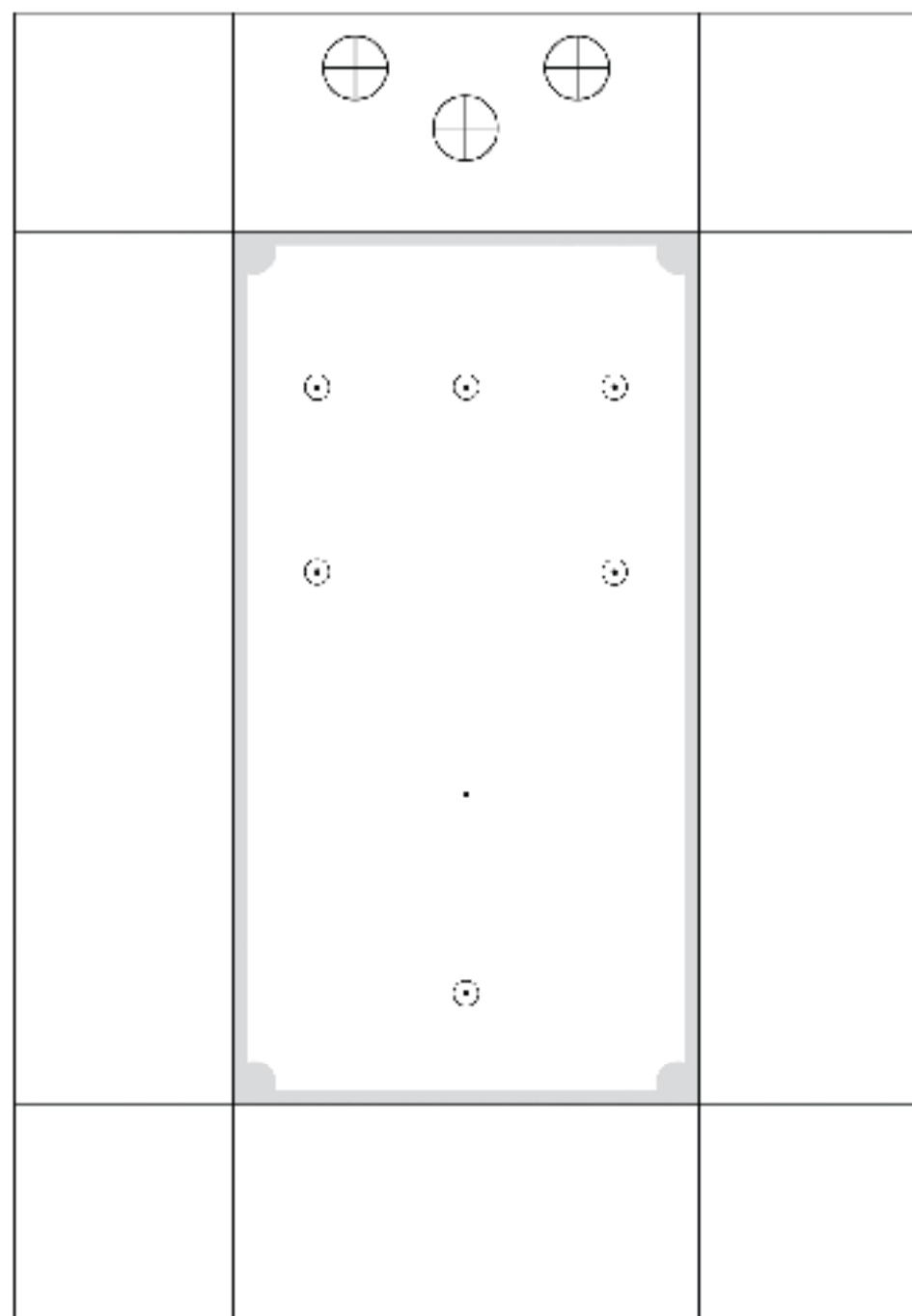
LDR1	5mm Radial LDR (KE-10720)
LDR2	5mm Radial LDR (KE-10720)
LDR3	5mm Radial LDR (KE-10720)
LDR4	5mm Radial LDR (KE-10720)

The Abyss



Wiring Diagram





The Abyss

Bill of Materials

Resistors (1/8W)

1 x 100
2 x 3K3
2 x 4K7
3 x 10K
1 x 15K
1 x 22K
8 x 47K
1 x 56K
3 x 100K
2 x 220K
2 x 1M
1 x 2M2

Capacitors

1 x 100pF
1 x 470pF
1 x 4.7nF
1 x 15nF
1 x 100nF
1 x 220nF
5 x 1uF
1 x 10uF
2 x 47uF
1 x 100uF

Semiconductors

1 x 1N5817
2 x MPSA18
1 x TL072
1 x TL074

4 x 5mm Radial LDR
(*KE-10720*)

1 x 5mm Yellow LED
1 x 3mm Red LED

Potentiometers

1 x B10K
2 x B25K
1 x A100K
1 x B100K Dual-Ganged