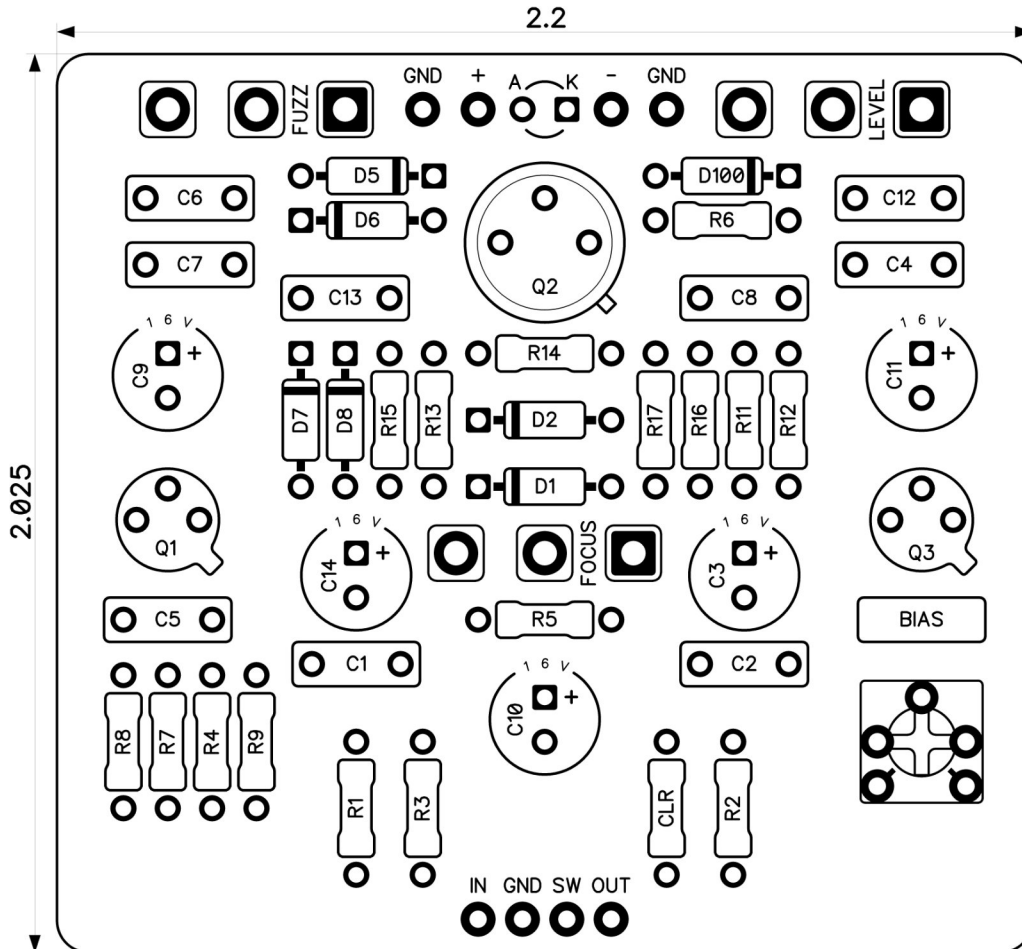


PedalPCB

Aberration Fuzz

Revised 8/16/23



CONTROLS AND FEATURES

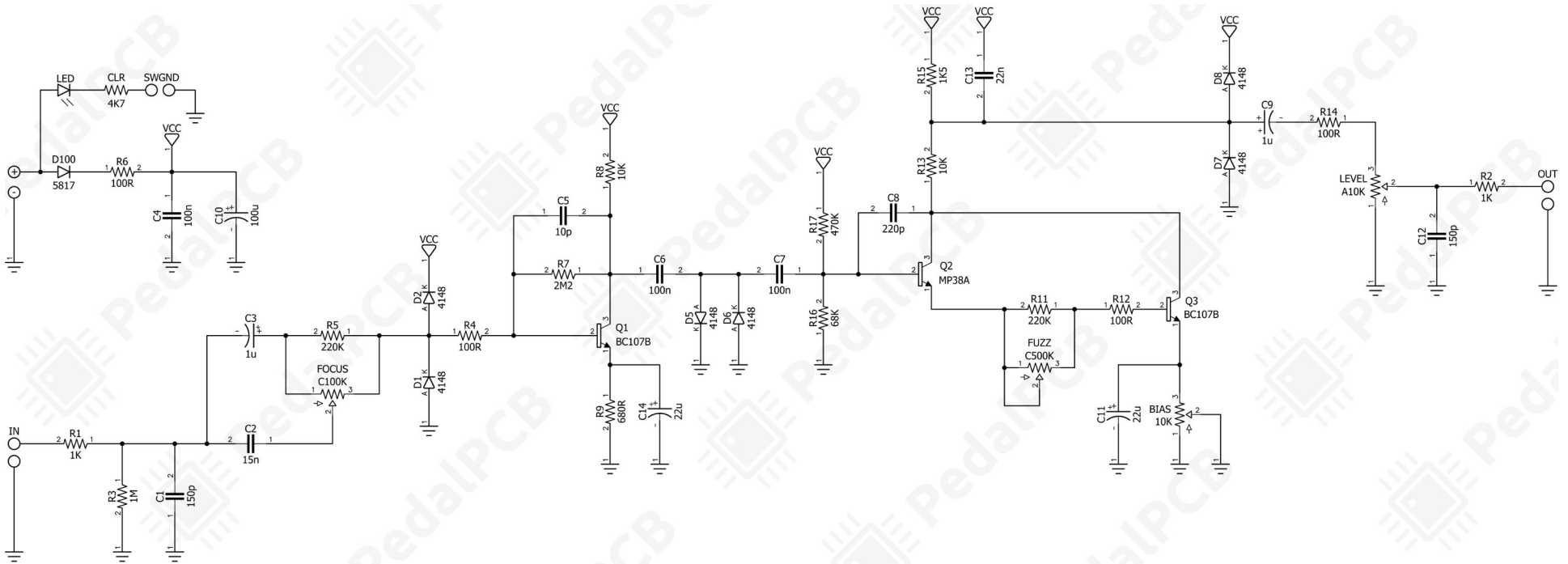
- Level
- Fuzz
- Focus

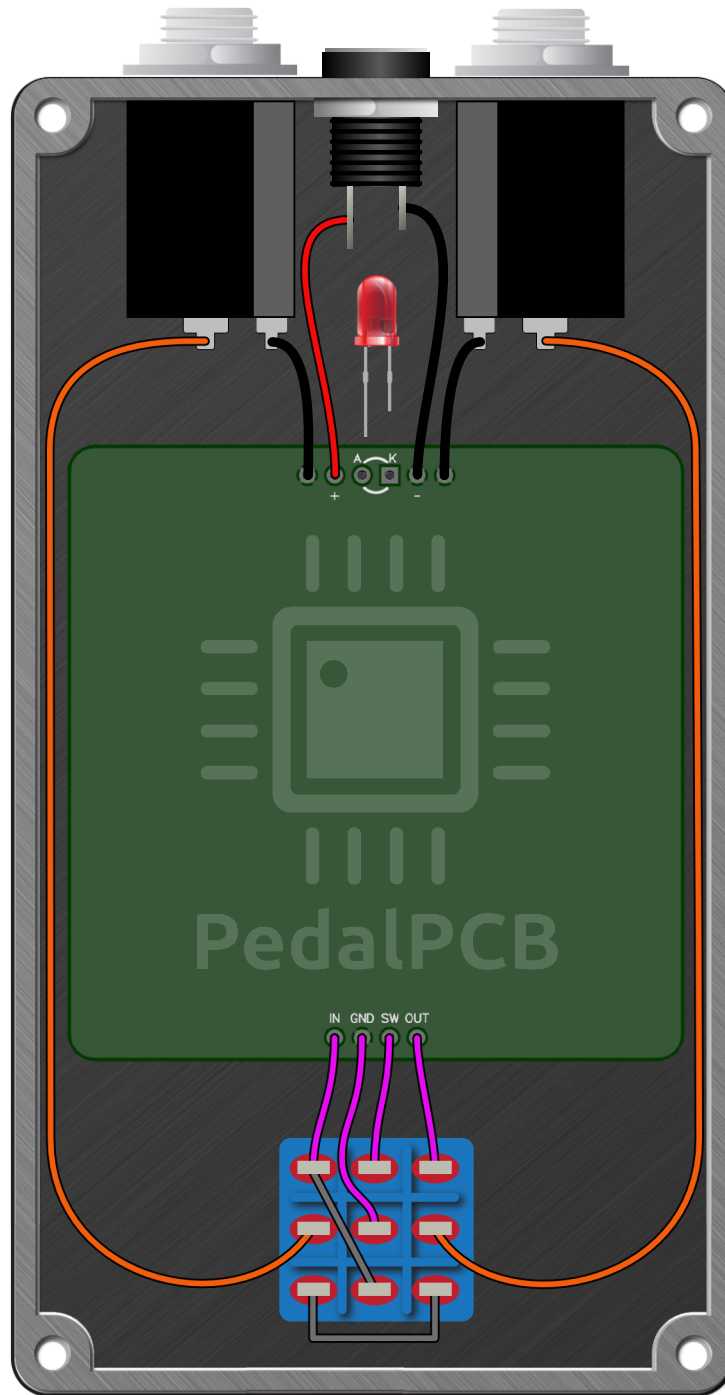
All trademarks and registered trademarks are the property of their respective owners. The company, product, and service names used in this web site are for identification purposes only. Use of these names, logos, and brands does not imply endorsement.

LOCATION	VALUE	TYPE	NOTES
R1	1K	Resistor, 1/4W	
R2	1K	Resistor, 1/4W	
R3	1M	Resistor, 1/4W	
R4	100R	Resistor, 1/4W	
R5	220K	Resistor, 1/4W	
R6	100R	Resistor, 1/4W	
R7	2M2	Resistor, 1/4W	
R8	10K	Resistor, 1/4W	
R9	680R	Resistor, 1/4W	
R11	220K	Resistor, 1/4W	
R12	100R	Resistor, 1/4W	
R13	10K	Resistor, 1/4W	
R14	100R	Resistor, 1/4W	
R15	1K5	Resistor, 1/4W	
R16	68K	Resistor, 1/4W	
R17	470K	Resistor, 1/4W	
CLR	4K7	Resistor, 1/4W	* LED current limiting resistor
C1	150p	Ceramic capacitor	
C2	15n	Film capacitor, 7.2 x 2.5mm	
C3	1u	Electrolytic capacitor, 5mm	
C4	100n	Film capacitor, 7.2 x 2.5mm	
C5	10p	Ceramic capacitor	
C6	100n	Film capacitor, 7.2 x 2.5mm	
C7	100n	Film capacitor, 7.2 x 2.5mm	
C8	220p	Ceramic capacitor	
C9	1u	Electrolytic capacitor, 5mm	
C10	100u	Electrolytic capacitor, 5mm	
C11	22u	Electrolytic capacitor, 5mm	
C12	150p	Ceramic capacitor	
C13	22n	Film capacitor, 7.2 x 2.5mm	
C14	22u	Electrolytic capacitor, 5mm	
D1	1N4148	Signal diode, DO-35	
D2	1N4148	Signal diode, DO-35	
D5	1N4148	Signal diode, DO-35	
D6	1N4148	Signal diode, DO-35	
D7	1N4148	Signal diode, DO-35	
D8	1N4148	Signal diode, DO-35	
D100	1N5817	Schottky diode, DO-41	
Q1	BC107B	BJT transistor, NPN TO-18	hFE 312
Q2	MP38A	Germanium NPN	hFE 79, ICLeak = 0.195mA
Q3	BC107B	BJT transistor, NPN TO-18	hFE 318
BIAS	10K	Trimmer potentiometer, 3362P type	
LEVEL	A10K	16mm right-angle PCB mount pot	
FOCUS	C100K	16mm right-angle PCB mount pot	
FUZZ	C500K	16mm right-angle PCB mount pot	

Aberration Fuzz

Schematic Diagram





Aberration Fuzz

Drill Template
125B Enclosure

