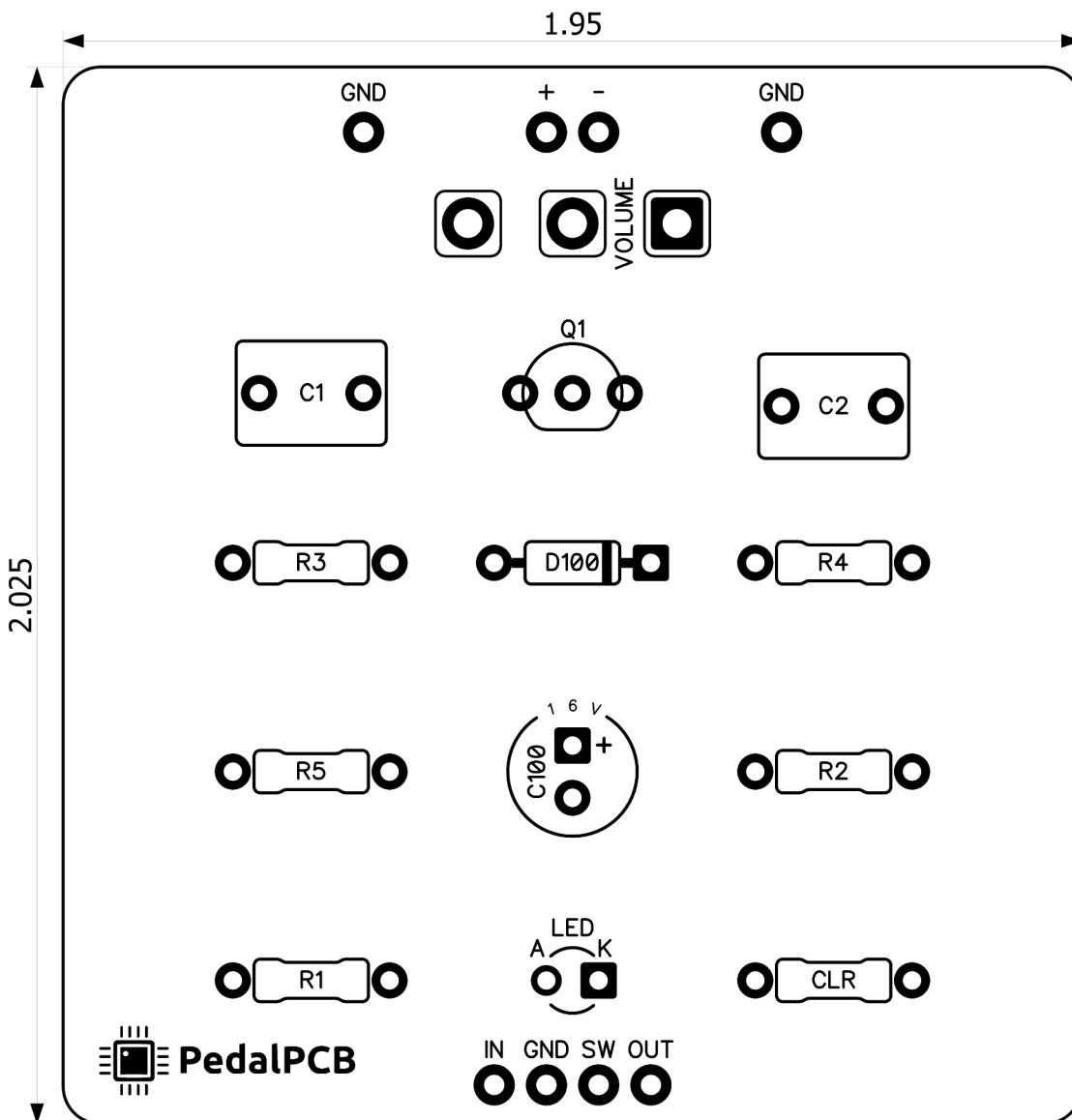


PedalPCB

All-Points Booster

Revised 12/19/23



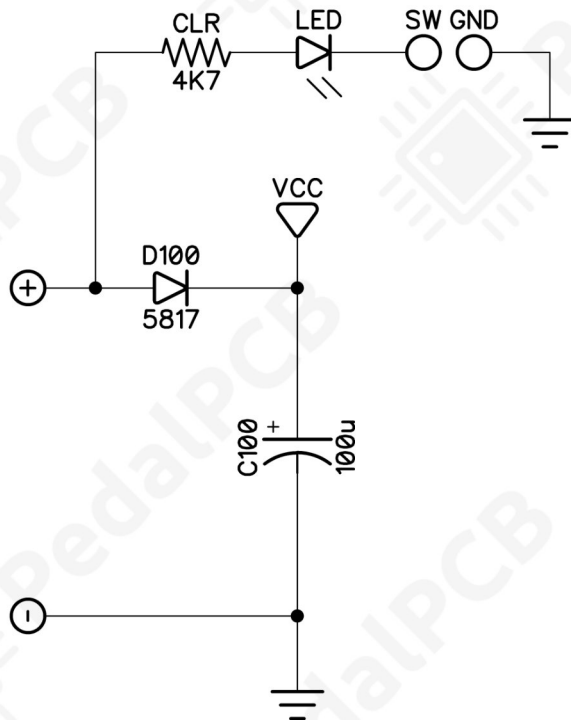
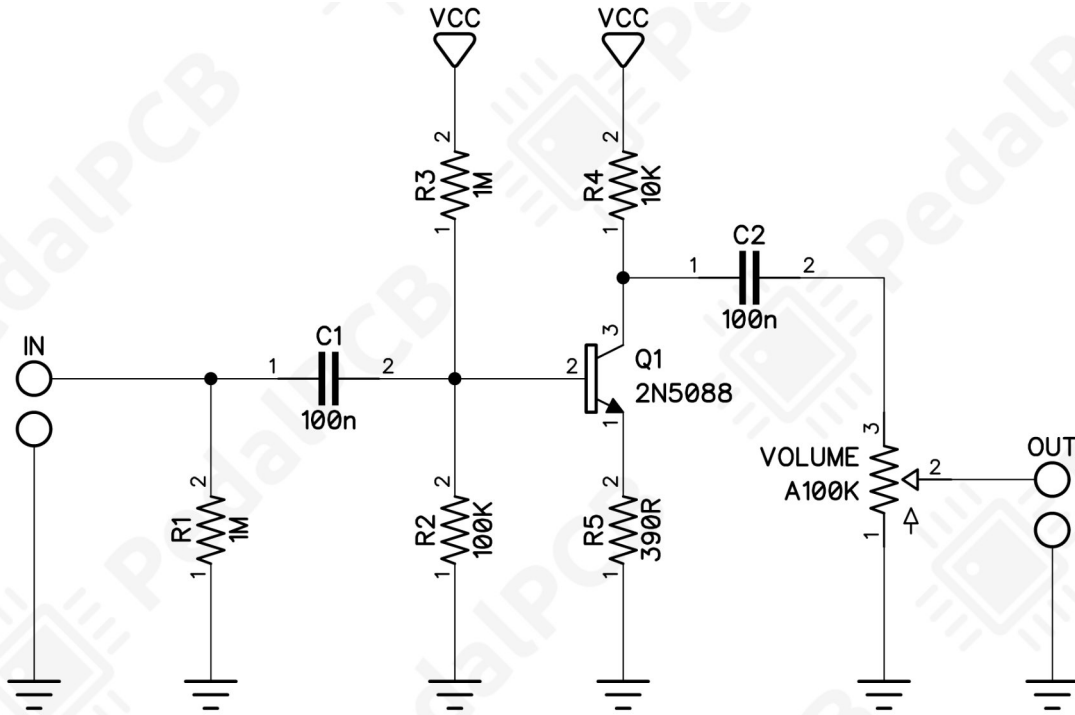
CONTROLS AND FEATURES

- Volume

All trademarks and registered trademarks are the property of their respective owners. The company, product, and service names used in this web site are for identification purposes only. Use of these names, logos, and brands does not imply endorsement.

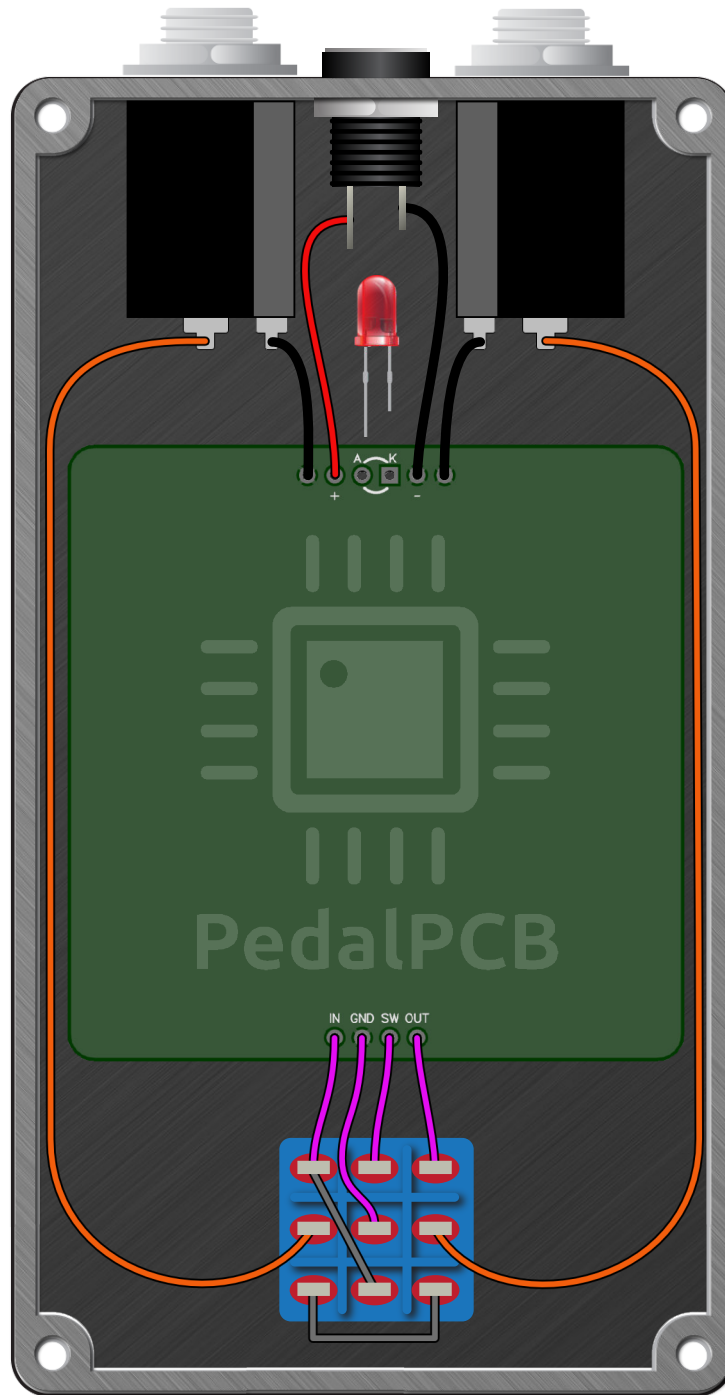
All-Points Booster

Schematic Diagram



All-Points Booster

Wiring Diagram



All-Points Booster

Drill Template
125B Enclosure

