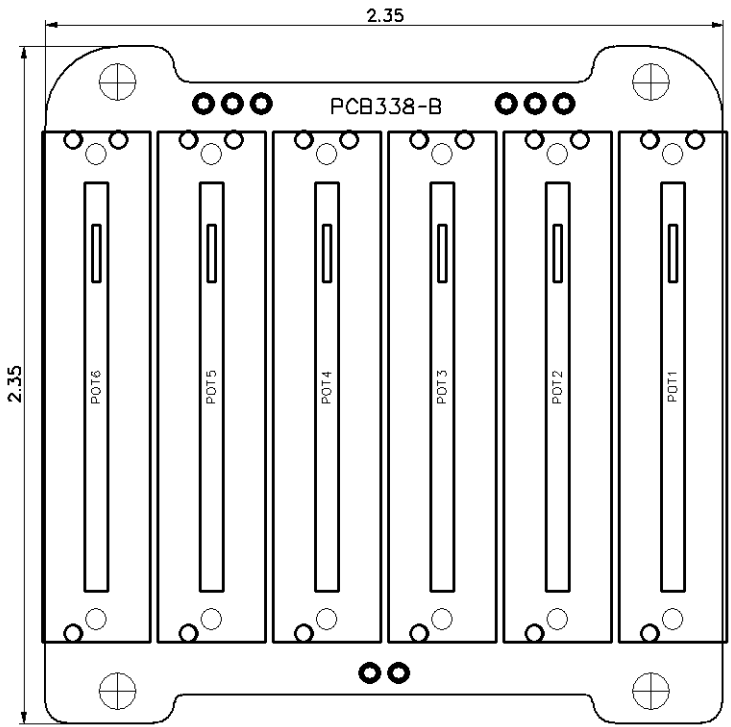
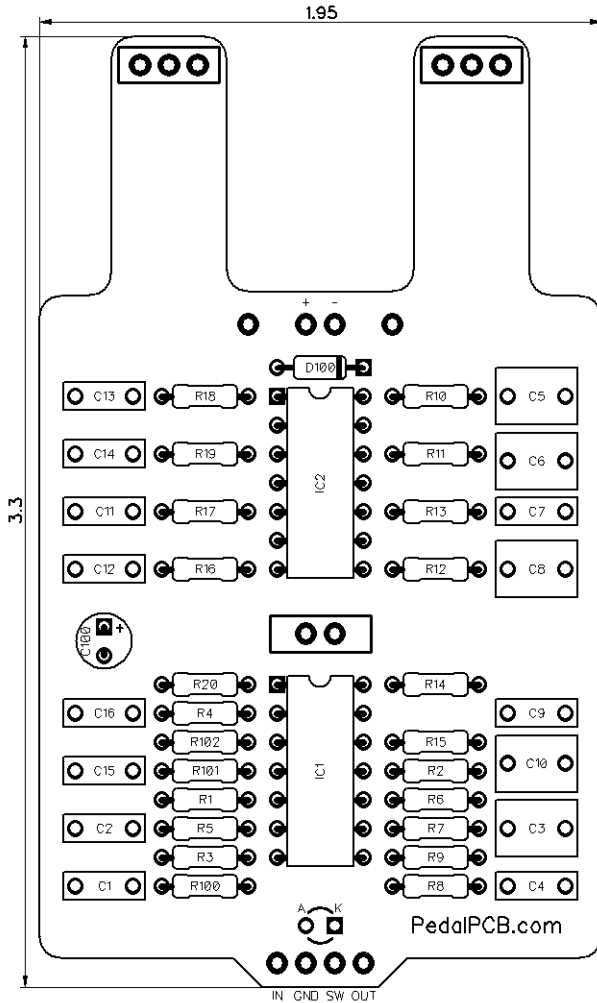




6-Band EQ

Revised 8/15/20



CONTROLS AND FEATURES

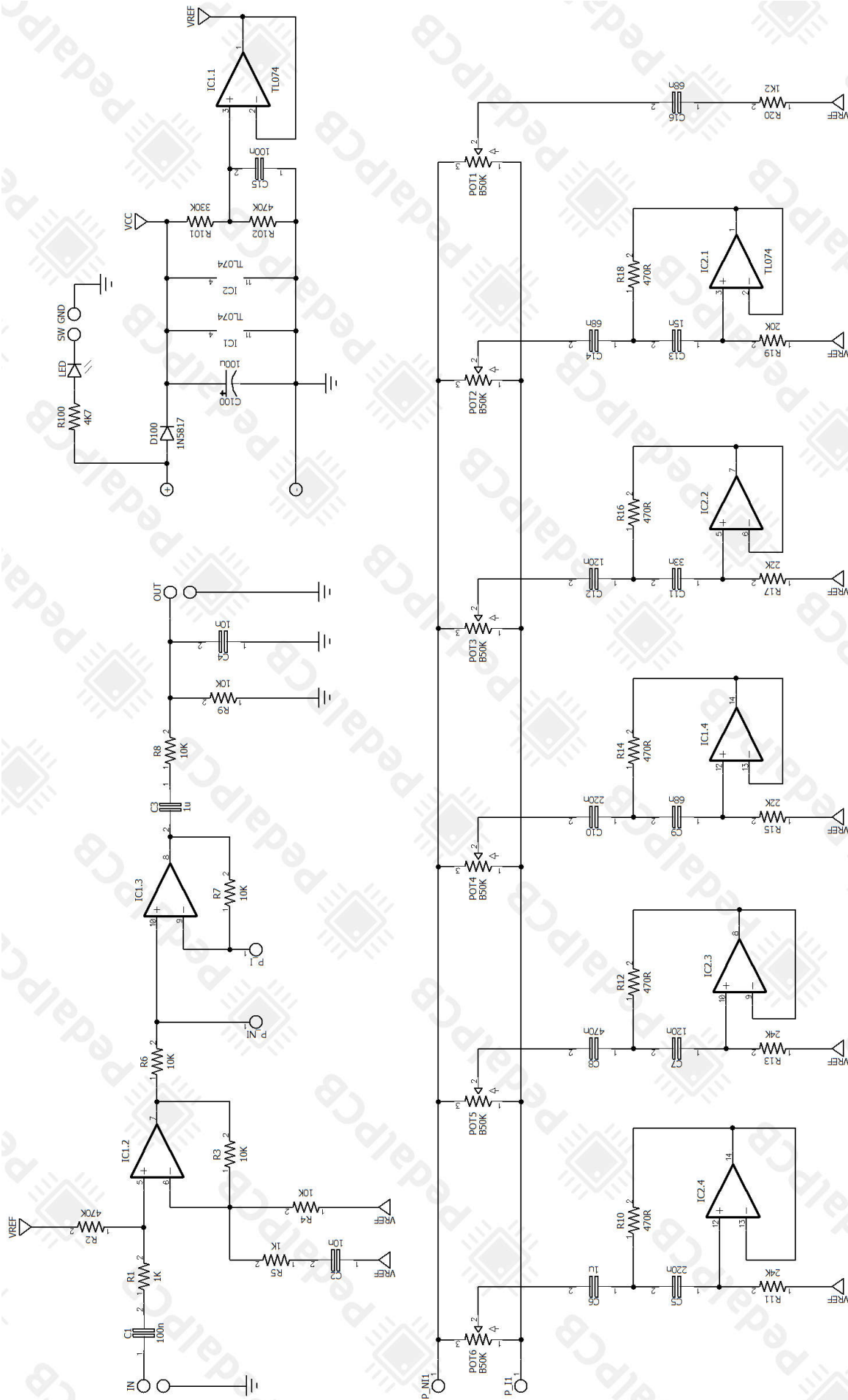
- 100Hz
- 200Hz
- 400Hz
- 800Hz
- 1600Hz
- 3200Hz

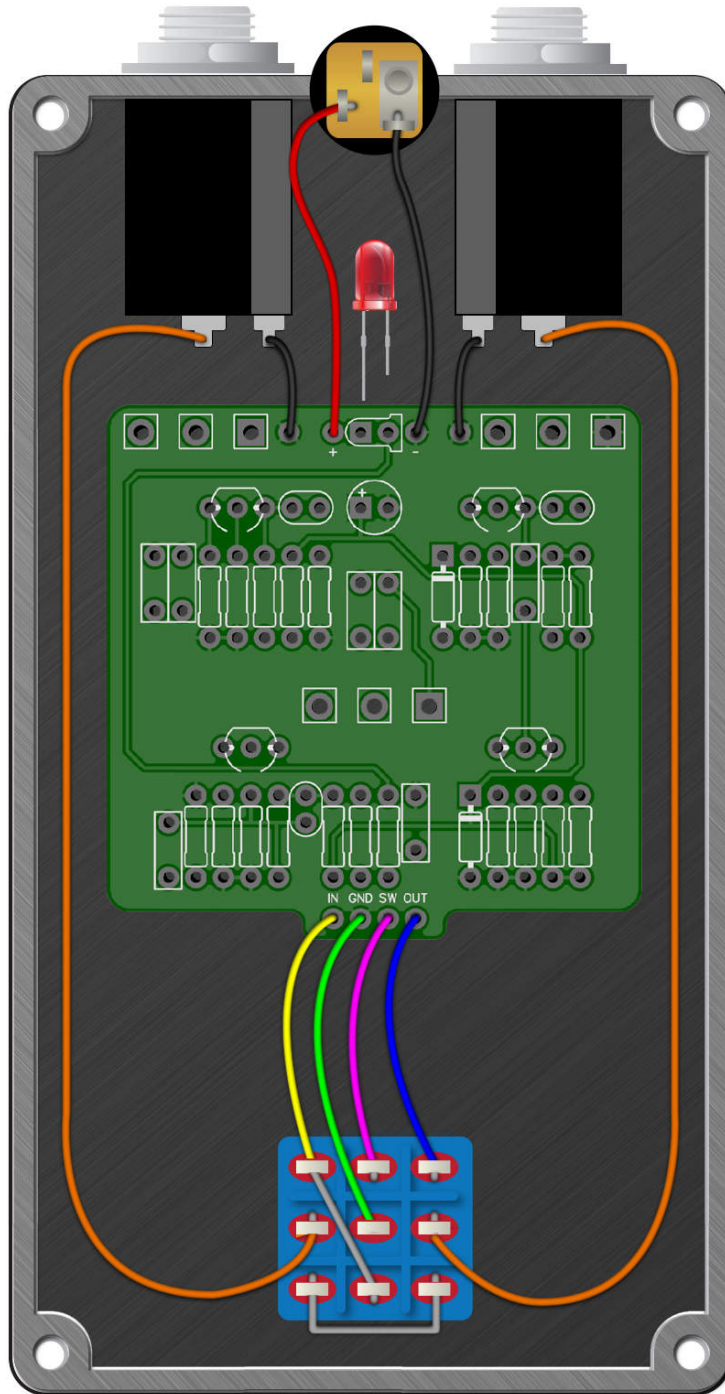
All trademarks and registered trademarks are the property of their respective owners. The company, product, and service names used in this web site are for identification purposes only. Use of these names, logos, and brands does not imply endorsement.

| LOCATION | VALUE | TYPE | NOTES |
|----------|--------|-----------------------------|-------|
| R1 | 1K | Resistor, 1/4W | |
| R2 | 470K | Resistor, 1/4W | |
| R3 | 10K | Resistor, 1/4W | |
| R4 | 10K | Resistor, 1/4W | |
| R5 | 1K | Resistor, 1/4W | |
| R6 | 10K | Resistor, 1/4W | |
| R7 | 10K | Resistor, 1/4W | |
| R8 | 10K | Resistor, 1/4W | |
| R9 | 10K | Resistor, 1/4W | |
| R10 | 470R | Resistor, 1/4W | |
| R11 | 24K | Resistor, 1/4W | |
| R12 | 470R | Resistor, 1/4W | |
| R13 | 24K | Resistor, 1/4W | |
| R14 | 470R | Resistor, 1/4W | |
| R15 | 22K | Resistor, 1/4W | |
| R16 | 470R | Resistor, 1/4W | |
| R17 | 22K | Resistor, 1/4W | |
| R18 | 470R | Resistor, 1/4W | |
| R19 | 20K | Resistor, 1/4W | |
| R20 | 1K2 | Resistor, 1/4W | |
| R100 | 4K7 | Resistor, 1/4W | |
| R101 | 330K | Resistor, 1/4W | |
| R102 | 470K | Resistor, 1/4W | |
| | | | |
| C1 | 100n | Film capacitor, 7.2 x 2.5mm | |
| C2 | 10n | Film capacitor, 7.2 x 2.5mm | |
| C3 | 1u | Film capacitor, 7.2 x 5.0mm | |
| C4 | 10n | Film capacitor, 7.2 x 2.5mm | |
| C5 | 220n | Film capacitor, 7.2 x 5.0mm | |
| C6 | 1u | Film capacitor, 7.2 x 5.0mm | |
| C7 | 120n | Film capacitor, 7.2 x 2.5mm | |
| C8 | 470n | Film capacitor, 7.2 x 5.0mm | |
| C9 | 68n | Film capacitor, 7.2 x 2.5mm | |
| C10 | 220n | Film capacitor, 7.2 x 5.0mm | |
| C11 | 33n | Film capacitor, 7.2 x 2.5mm | |
| C12 | 120n | Film capacitor, 7.2 x 2.5mm | |
| C13 | 15n | Film capacitor, 7.2 x 2.5mm | |
| C14 | 68n | Film capacitor, 7.2 x 2.5mm | |
| C15 | 100n | Film capacitor, 7.2 x 2.5mm | |
| C16 | 68n | Film capacitor, 7.2 x 2.5mm | |
| C100 | 100u | Electrolytic capacitor, 5mm | |
| | | | |
| D100 | 1N5817 | Schottky diode, DO-41 | |
| | | | |
| IC1 | TL074 | Quad Opamp | |
| IC2 | TL074 | Quad Opamp | |
| | | | |

6-Band EQ

Schematic Diagram





6-Band EQ

Drill Template
125B enclosure

