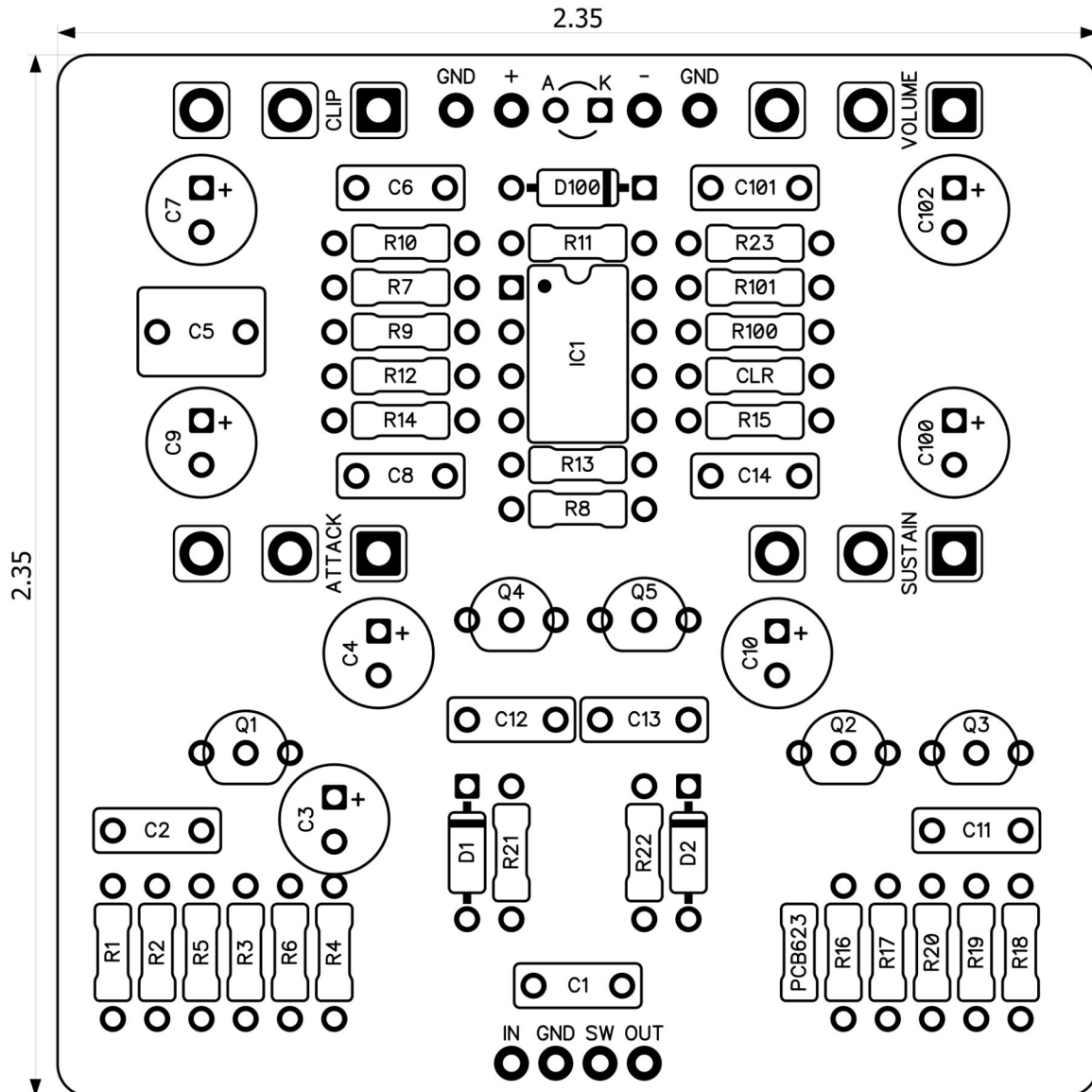


# PedalPCB

## 401K Compressor

Revised 12/20/23



### CONTROLS AND FEATURES

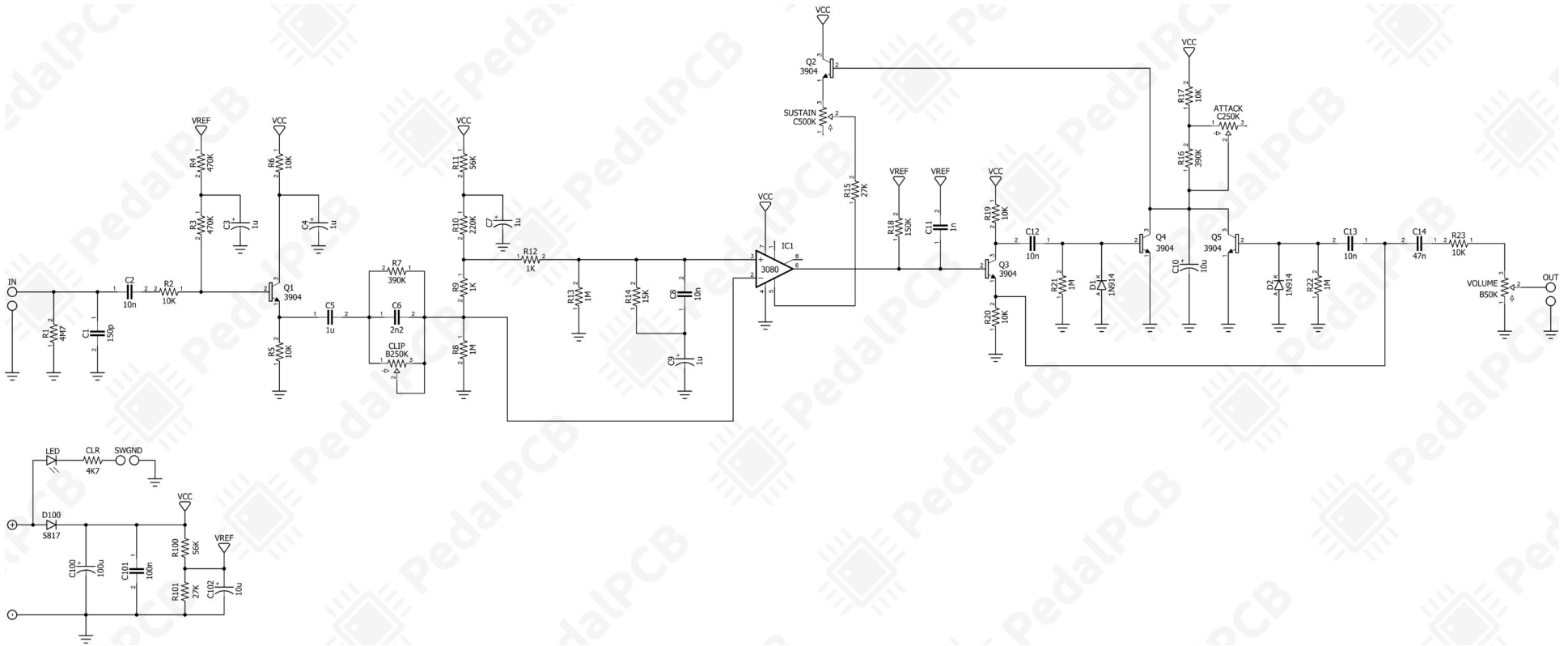
- Volume
- Clip
- Sustain
- Attack

All trademarks and registered trademarks are the property of their respective owners. The company, product, and service names used in this web site are for identification purposes only. Use of these names, logos, and brands does not imply endorsement.

LOCATION	VALUE	TYPE	NOTES
R1	4M7	Resistor, 1/4W	
R2	10K	Resistor, 1/4W	
R3	470K	Resistor, 1/4W	
R4	470K	Resistor, 1/4W	
R5	10K	Resistor, 1/4W	
R6	10K	Resistor, 1/4W	
R7	390K	Resistor, 1/4W	
R8	1M	Resistor, 1/4W	
R9	1K	Resistor, 1/4W	
R10	220K	Resistor, 1/4W	
R11	56K	Resistor, 1/4W	
R12	1K	Resistor, 1/4W	
R13	1M	Resistor, 1/4W	
R14	15K	Resistor, 1/4W	
R15	27K	Resistor, 1/4W	
R16	390K	Resistor, 1/4W	
R17	10K	Resistor, 1/4W	
R18	150K	Resistor, 1/4W	
R19	10K	Resistor, 1/4W	
R20	10K	Resistor, 1/4W	
R21	1M	Resistor, 1/4W	
R22	1M	Resistor, 1/4W	
R23	10K	Resistor, 1/4W	
R100	56K	Resistor, 1/4W	
R101	27K	Resistor, 1/4W	
CLR	4K7	Resistor, 1/4W	* LED current limiting resistor
C1	150p	Ceramic capacitor	
C2	10n	Film capacitor, 7.2 x 2.5mm	
C3	1u	Electrolytic capacitor, 5mm	
C4	1u	Electrolytic capacitor, 5mm	
C5	1u	Film capacitor, 7.2 x 5.0mm	
C6	2n2	Film capacitor, 7.2 x 2.5mm	
C7	1u	Electrolytic capacitor, 5mm	
C8	10n	Film capacitor, 7.2 x 2.5mm	
C9	1u	Electrolytic capacitor, 5mm	
C10	10u	Electrolytic capacitor, 5mm	
C11	1n	Film capacitor, 7.2 x 2.5mm	
C12	10n	Film capacitor, 7.2 x 2.5mm	
C13	10n	Film capacitor, 7.2 x 2.5mm	
C14	47n	Film capacitor, 7.2 x 2.5mm	
C100	100u	Electrolytic capacitor, 5mm	
C101	100n	Film capacitor, 7.2 x 2.5mm	
C102	10u	Electrolytic capacitor, 5mm	
D1	1N914	Signal diode, DO-35	
D2	1N914	Signal diode, DO-35	
D100	1N5817	Schottky diode, DO-41	
Q1	2N3904	BJT transistor, NPN TO-92	
Q2	2N3904	BJT transistor, NPN TO-92	
Q3	2N3904	BJT transistor, NPN TO-92	
Q4	2N3904	BJT transistor, NPN TO-92	
Q5	2N3904	BJT transistor, NPN TO-92	
IC1	LM3080	Operational Transconductance Amplifier	Alternate: AS3080
VOLUME	B50K	16mm right-angle PCB mount pot	
CLIP	B250K	16mm right-angle PCB mount pot	
SUSTAIN	C500K	16mm right-angle PCB mount pot	
ATTACK	C250K	16mm right-angle PCB mount pot	

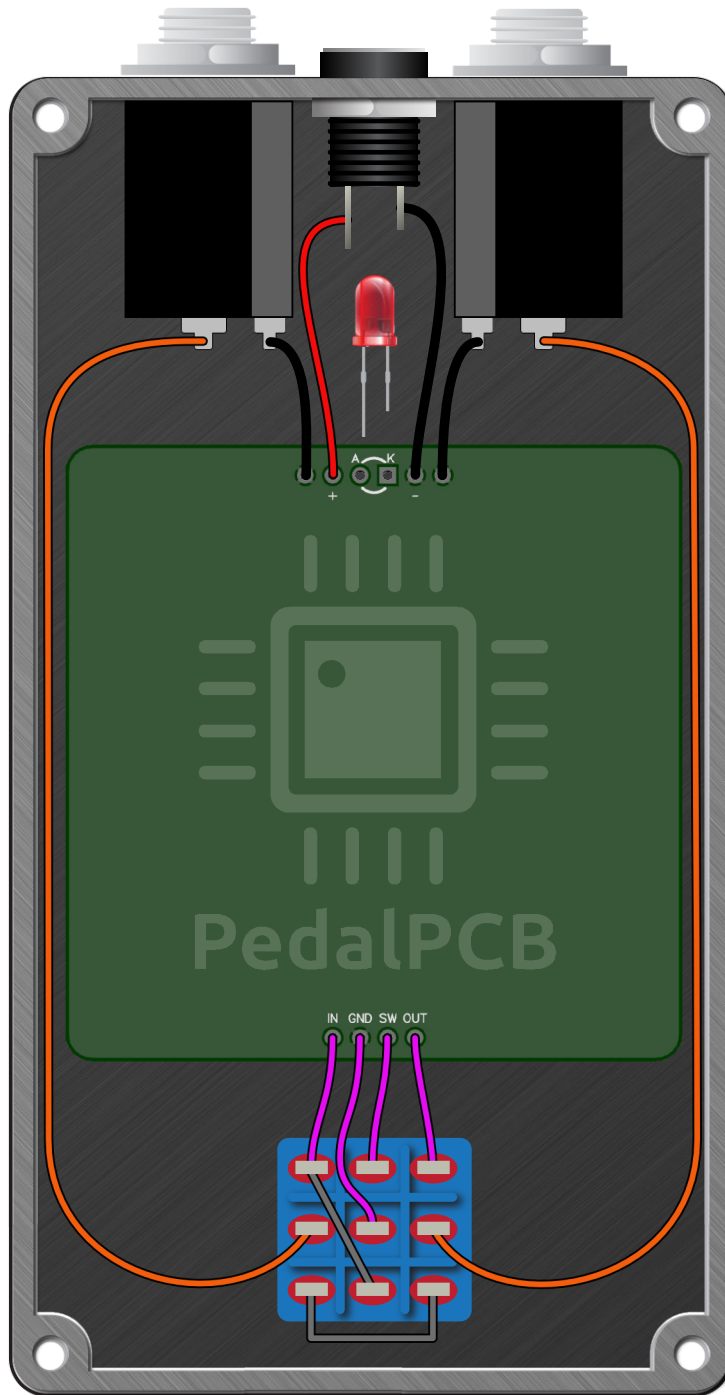
# 401K Compressor

Schematic Diagram



# 401K Compressor

Wiring Diagram



# 401K Compressor

Drill Template  
125B Enclosure

